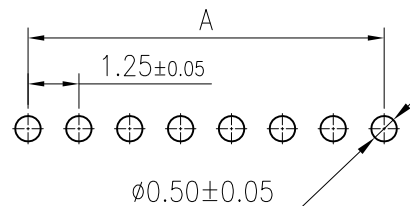
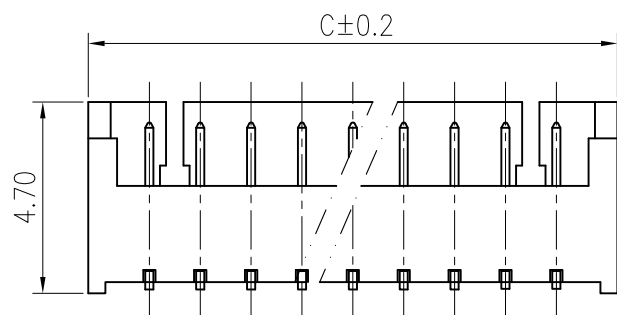
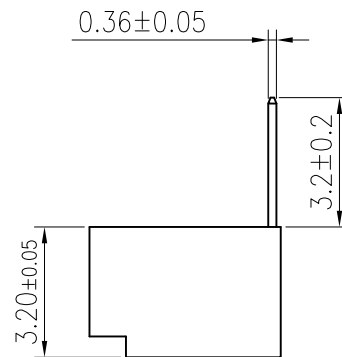
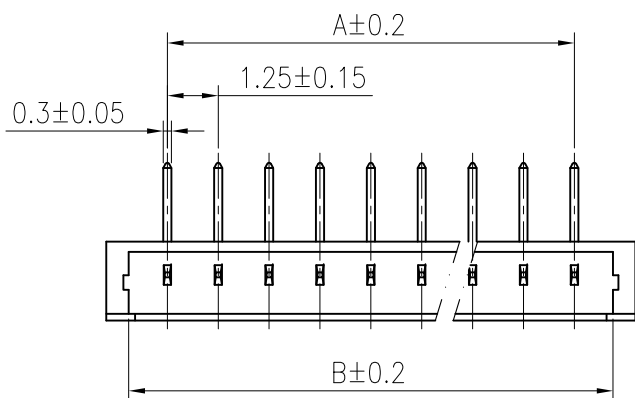


RoHS
COMPLIANT



Recommended P.C.Board Layout
Total Tolerance: ±0.05mm

◆SPECIFICATIONS

- Current rating: 1A AC, DC
- Voltage rating: 125V AC,DC
- Temperature range: -40°C ~ +105°C
- Insulation resistance: 100MΩ Min.
- Withstanding voltage: 250V AC/ minute.
- Contact resistance: 20m Ω Max.

Material:

Insulator: PA46/PA9T/LCP UL 94V-0
Contact: Brass
Plating: Tin plated over Nickel
Circuits: 2~16
Suitable: KR1250 series Housing
Ordering Code: C1250RD1**07T0102PA

02: 2P ——— P: Bag
16: 16P ———
11: PA9T Natural ———
13: LCP Natural ———
07: PA46 Natural ———
T01: Bright Tin ———

Cicuits	A	B	C	Cicuits	A	B	C
2	1.25	3.15	4.25	10	11.25	13.15	14.25
3	2.50	4.40	5.50	11	12.50	14.40	15.50
4	3.75	5.65	6.75	12	13.75	15.65	16.75
5	5.00	6.90	8.00	13	15.00	16.90	18.00
6	6.25	8.15	9.25	14	16.25	18.15	19.25
7	7.50	9.40	10.50	15	17.50	19.40	20.50
8	8.75	10.65	11.75	16	18.75	20.65	21.75
9	10.00	11.90	13.00				

MARK	REVISION	DESCRIPTION	SIGNATURE	DATE	TOLERANCE	TITLE:	DRAWN:	CHECKED:	APPROVED:	UNIT: mm	SCALE: 1/1	SHEET: 1/1	PROJECTION	REV.: A3	DRAWING NO.:	
	1	Uniformly arrange the drawings	Shen	2021.8.30	X.X ±0.30	MX 1.25 DIP 90° Wafer Lengthen	Shen 2021.08.30								PART NO.: C1250RD1****T0102PA DRAWING NO.: 1250WHD102-A-S	
	2	Change the part number and frame format	Ru yi	2020.3.10	X.XX ±0.20											
	3				X.XXX ±0.10											
	4				Angle ±2°											

KONNRA 东莞市康瑞电子有限公司
DongGuan Konnra Electronics Co.,Ltd.