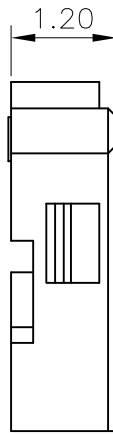
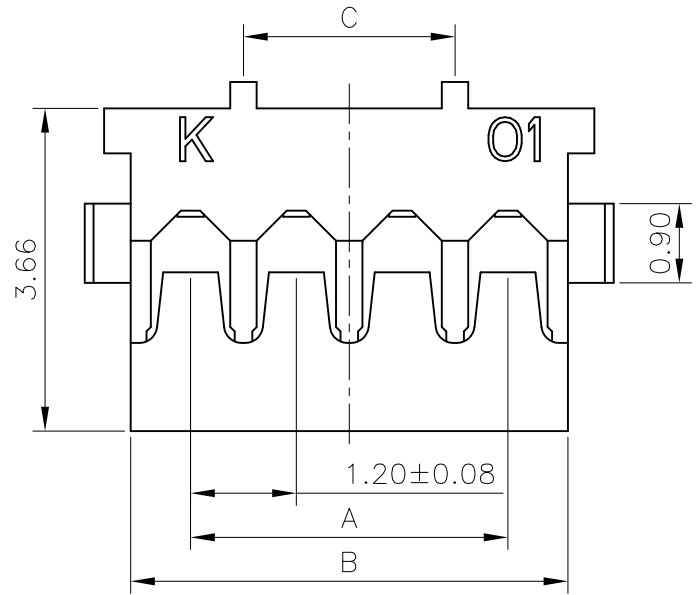


RoHS
COMPLIANT



◆ SPECIFICATIONS

- Current rating: 1.5A AC, DC
- Voltage rating: 50V AC, DC
- Temperature range: -40°C ~ +105°C
- Insulation resistance: 100MΩ Min.
- Withstanding voltage: 500V AC/ minute.
- Contact resistance: 20mΩ Max.

Material: Nylon 46 UL94V-0

Suitable: 1201 series Crimp Terminal

Ordering Code:

H12010 *** ** ** A

102=2P

103=3P

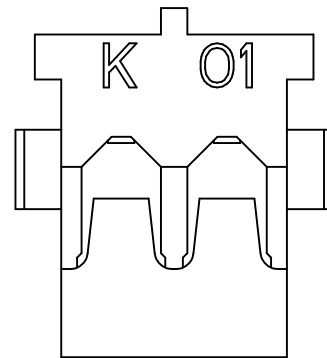
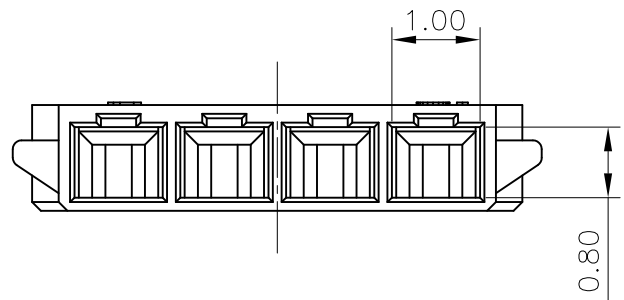
00: Halogen free

01: Conventional products

07: PA46 Natural

13: LCP Natural

14: LCP Black



2P View

PIN.	Dimension		
	A	B	C
2P	1.20	2.60	/
3P	2.40	3.80	1.20
4P	3.60	5.00	2.40
5P	4.80	6.20	3.60
6P	6.00	7.40	4.80
7P	7.20	8.60	6.00

F		Add specification	ZSZ	2021.11.22	TOLERANCE X.X ±0.30 X.XX ±0.20 X.XXX ±0.10 Angle ±2°	TITLE: ACH1.2 Housing	DRAWN: <i>ZSZ 2021.11.22</i>		KONNRA 东莞市康瑞电子有限公司		
		Uniformly arrange the drawings	Shen	2021.08.30			CHECKED:		DongGuan Konnra Electronics Co.,Ltd.		
		Change the part number and frame format	TLX	2020.03.28			APPROVED:		PART NO.: H12010***0701A		
	MARK	REVISION DESCRIPTION	SIGNATURE	DATE			UNIT:mm	SCALE: 1/1	SHEET: 1/1	PROJECTION	REV.: A4
	1	2	3	4		5	6	7	8	9	