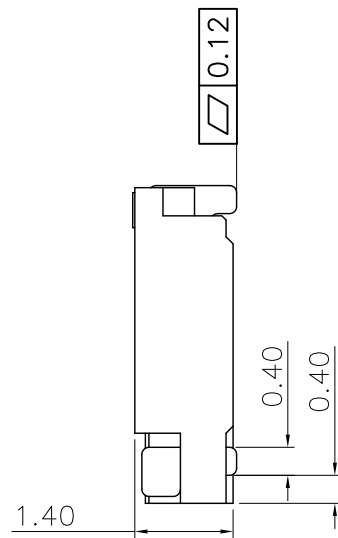
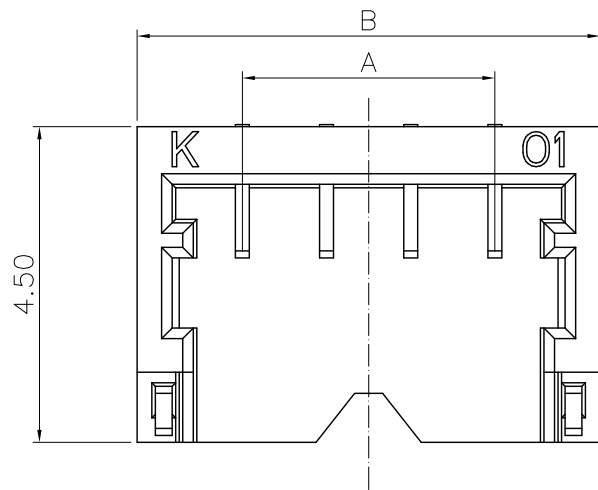


**RoHS**  
COMPLIANT



◆ SPECIFICATIONS

- Current rating: 1.5A AC, DC
- Voltage rating: 50V AC,DC
- Temperature range: -40°C ~ +105°C
- Insulation resistance: 100MΩ Min.
- Withstanding voltage: 500V AC/ minute.
- Contact resistance: 20mΩ Max.

Material:

Insulator: PA9T/LCP UL 94V-0 Black  
Contact: Phosphor bronze  
Fitting Nail: Brass

Plating:

Contact: Gold Flash  
Fitting Nail: Matte tin plated

Circuits: 2~7

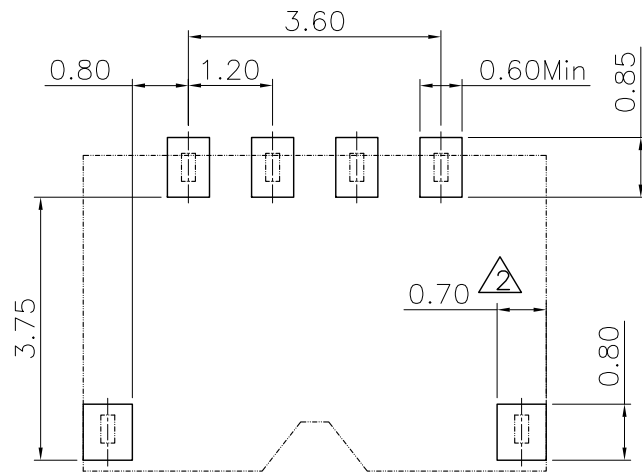
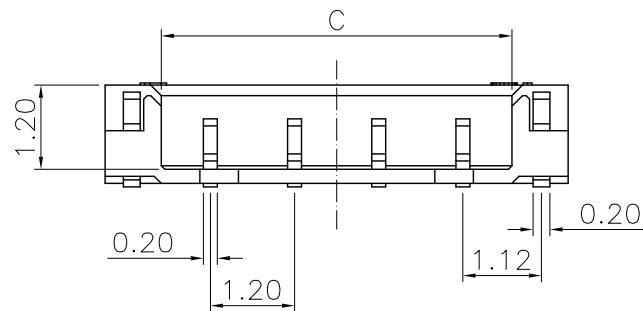
Mate with KR1200 series housing

Ordering Code: C1200RS1\*\*12G0201\*A

PIN     ┌───┐     ┌───┐  
02=2P     └───┘     └───┘ R:Reel  
03=3P.....

Material:  
12:PA9T  
14:LCP

Plating Gold



Recommended P.C.B. Layout  
Total tolerance:±0.05mm

PIN.	Dimension		
	A	B	C
2P	1.20	4.30	2.64
3P	2.40	5.50	3.84
4P	3.60	6.70	5.04
5P	4.80	7.90	6.24
6P	6.00	9.10	7.44
7P	7.20	10.30	8.64

MARK	REVISION DESCRIPTION	SIGNATURE	DATE	TOLERANCE	TITLE:	DRAWN:	CHECKED:	APPROVED:	UNIT:mm	SCALE:1/1	SHEET:1/1	PROJECTION	REV.:A6	DRAWING NO.:1200WHS101-A-S	
A6	Uniformly arrange the drawings	Shen	2021.8.30	X.X ±0.30	MX1.2 SMT 90° Wafer	ru yi 2021.08.30	Shen 2021.08.30								
A5	Change the part number and frame format	Ru yi	2020.3.10	X.XX ±0.20											
				X.XXX ±0.10											
				Angle ±2°											

**KONNRA** 东莞市康瑞电子有限公司  
DongGuan Konnra Electronics Co.,Ltd.

PART NO.:C1200RS\*\*\* \*\*G0201RA