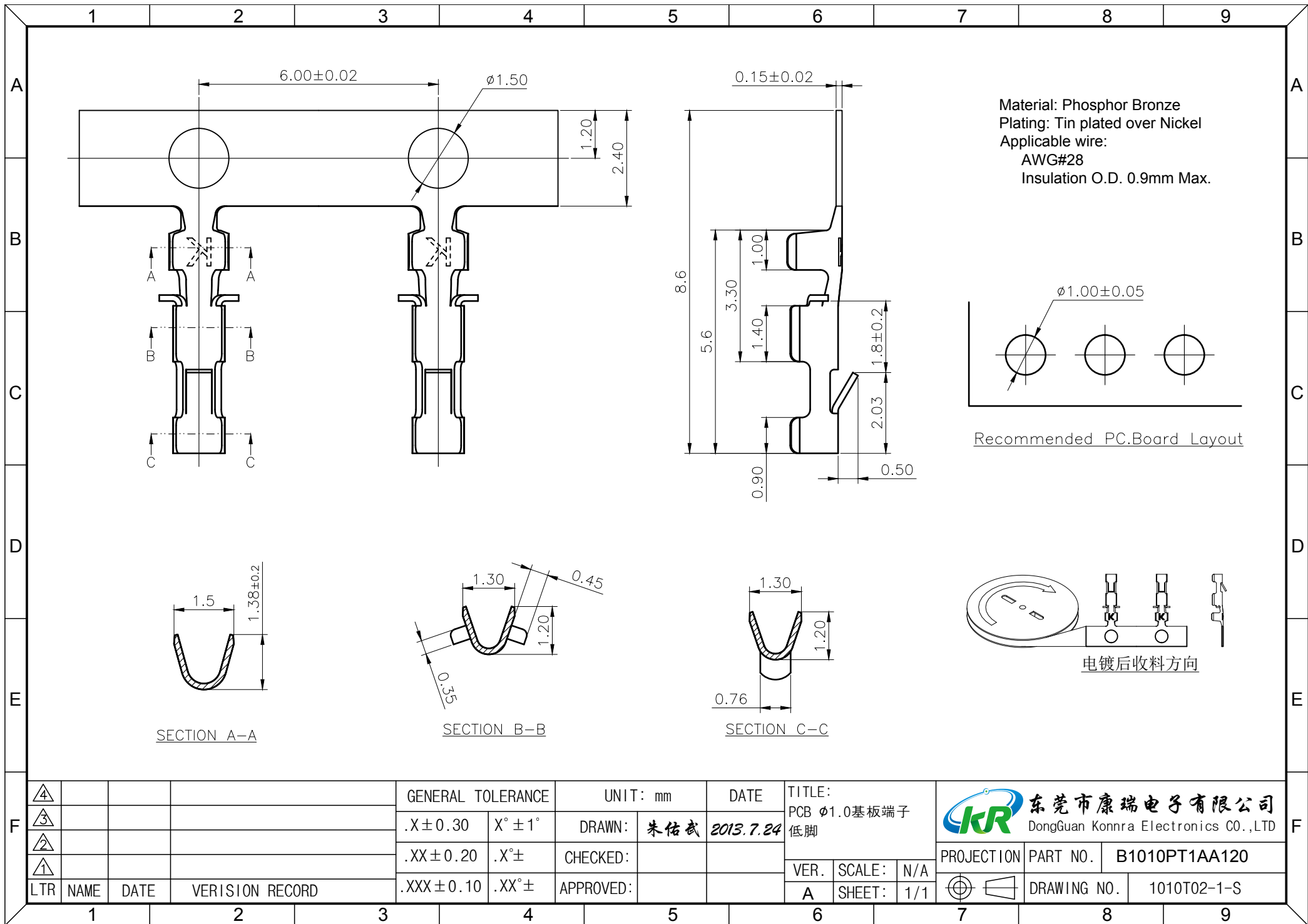


F	④			GENERAL TOLERANCE		UNIT: mm		DATE		TITLE:				
	③			.X ± 0.30	X° ± 1°	DRAWN:	王钰徽	2015.10.18		PCB φ1.0基板端子				
	②			.XX ± 0.20	.X° ±	CHECKED:				PROJECTION				
	①			.XXX ± 0.10	.XX° ±	APPROVED:				PART NO. B1010PT1AA100				
	LTR	NAME	DATE	VERISION RECORD						VER.	SCALE:	N/A	DRAWING NO.	1010T01-1-S
	1			2		3	4	5	6	A	SHEET:	1/1		

东莞市康瑞电子有限公司
 DongGuan Konnra Electronics CO.,LTD



F	④			GENERAL TOLERANCE		UNIT: mm		DATE		TITLE:	
	③			.X ± 0.30	X° ± 1°	DRAWN:	朱佑武	2013.7.24	PCB $\phi 1.0$ 基板端子 低脚		
	②			.XX ± 0.20	.X° ±	CHECKED:			VER.	SCALE:	N/A
	①			.XXX ± 0.10	.XX° ±	APPROVED:			A	SHEET:	1/1
	LTR	NAME	DATE	VERISION RECORD							

东莞市康瑞电子有限公司
 DongGuan Konnra Electronics CO.,LTD

PROJECTION: PART NO.: B1010PT1AA120
 DRAWING NO.: 1010T02-1-S