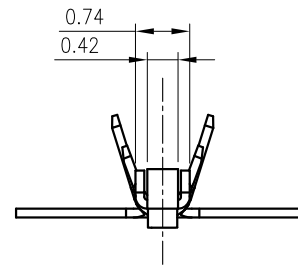
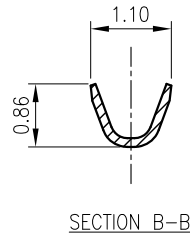
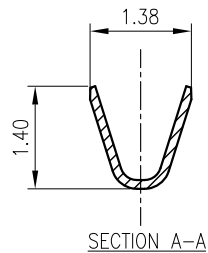
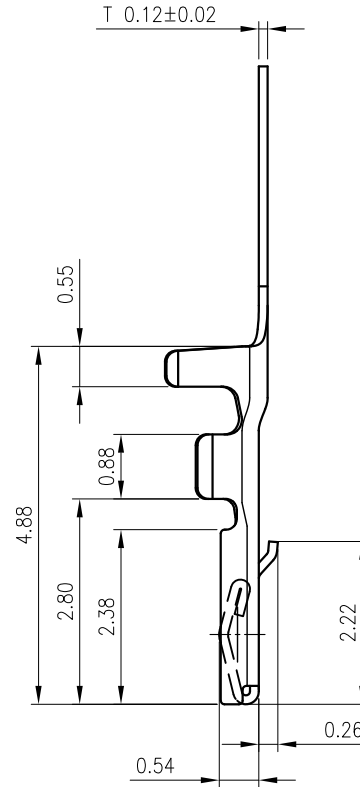
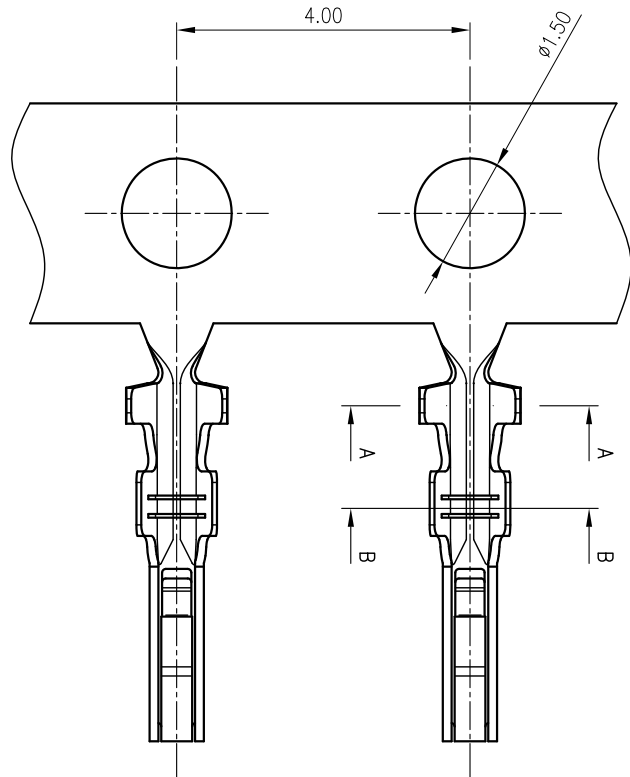


RoHS
COMPLIANT



SPECIFICATIONS

1. Current rating: 1A AC, DC
2. Voltage rating: 50V AC,DC
3. Temperature range: -40°C ~ +105°C
4. Insulation resistance: 500MΩ/ min.
5. Withstanding voltage: 300V AC/ minute.
6. Contact resistance: 55mΩ/ max.

Material: Phosphor Bronze

Finish: Gold flash or matte tin plated over Nickel

Applicable wires: AWG #28~#32

Insulation O.D 0.4 to 0.8mm

Suitable: KR1007 series Housing

Qty/reel: 15,000 PCS

Ordering Code:

T10070P G01 01A

└ M01:Matte tin plated

G01:Gold flash

TOLERANCE

X.X ±0.3

X.XX ±0.2

X.XXX ±0.1

Angle ±2°

TITLE:

SHLD1.0 Terminal

DRAWN: *Arwin 2021.08.25*

CHECKED: *Shen 2021.08.25*

APPROVED:

KONNRA 东莞市康瑞电子有限公司

DongGuan Konnra Electronics Co.,Ltd.

PART NO.: T10070P***01A



Uniformly arrange the drawings

Shen

2021.08.25

MARK

REVISION DESCRIPTION

SIGNATURE

DATE

UNIT: mm

SCALE: 1/1

SHEET: 1/1

PROJECTION

REV.: A2

DRAWING NO.: 1007T101-A-Q