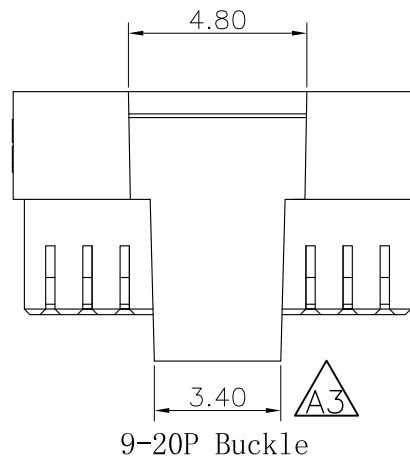
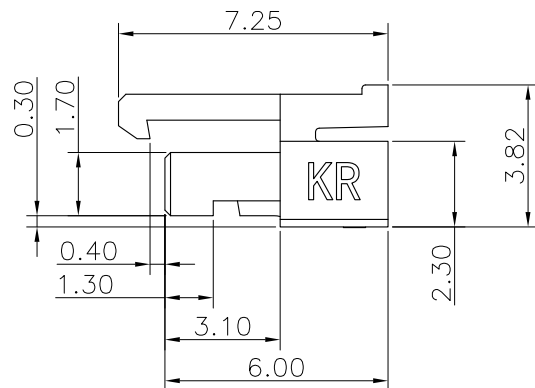
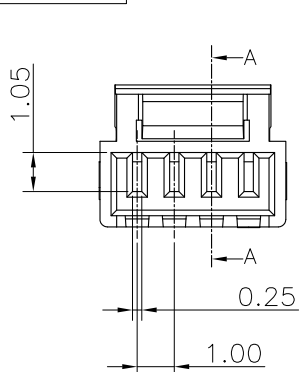


RoHS
COMPLIANT



◆ SPECIFICATIONS

- Current rating: 1A AC, DC
- Voltage rating: 50V AC, DC
- Temperature range: -40°C ~ +105°C
- Insulation resistance: 100MΩ Min.
- Withstanding voltage: 500V AC/ minute.
- Contact resistance: 20mΩ Max.

Material:

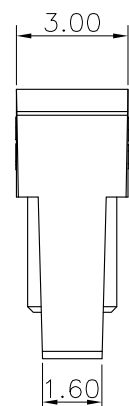
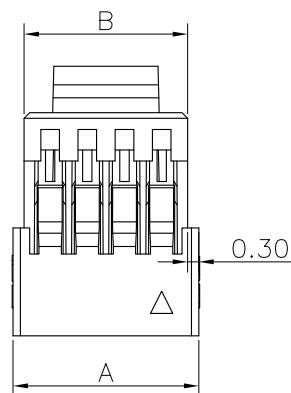
Insulator: PA66 UL 94V-0

Circuits: 2~20

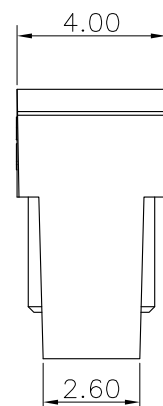
Suitable: KR1000 series Terminal

Ordering code: H100501**0101A

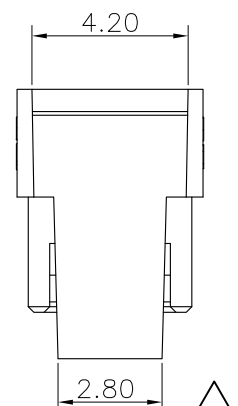
102=2
103=3



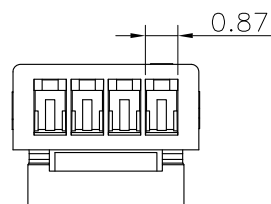
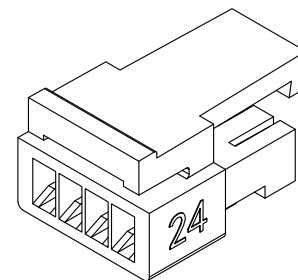
2P Buckle



3P Buckle



4-8P Buckle



Dimensions			Dimensions		
Circuits	A	B	Circuits	A	B
17	18.00	17.40	8	9.00	8.40
16	17.00	16.40	7	8.00	7.40
15	16.00	15.40	6	7.00	6.40
14	15.00	14.40	5	6.00	5.40
13	14.00	13.40	4	5.00	4.40
12	13.00	12.40	3	4.00	3.40
11	12.00	11.40	2	3.00	2.40
10	11.00	10.40			
9	10.00	9.40			

F		Uniformly arrange the drawings	Shen	2021.08.25	TOLERANCE X.X ±0.30 X.XX ±0.20 X.XXX ±0.10 Angle ±2°	TITLE: SHU1.0 Have buckle Housing	DRAWN: 7LX 2021.08.25	KONNRA 东莞市康瑞电子有限公司 DongGuan Konnra Electronics Co.,Ltd.	
		Change the buckle size and add 9-20P	Arvin	2020.06.22			CHECKED: Shen 2021.08.25		APPROVED:
MARK	REVISION DESCRIPTION	SIGNATURE	DATE	UNIT:mm	SCALE: 1/1	SHEET: 1/1	PROJECTION	REV.: A4	DRAWING NO.: 1005H101-A-S