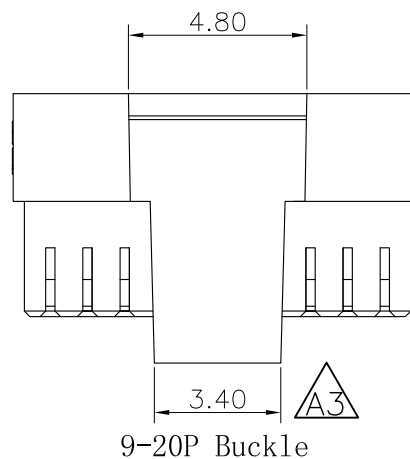
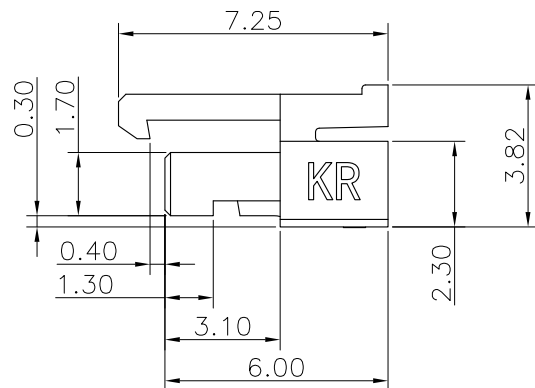
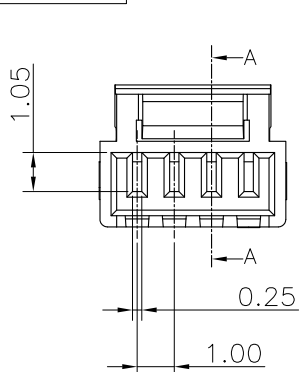


RoHS
COMPLIANT



◆ SPECIFICATIONS

- Current rating: 1A AC, DC
- Voltage rating: 50V AC, DC
- Temperature range: -40°C ~ +105°C
- Insulation resistance: 100MΩ Min.
- Withstanding voltage: 500V AC/ minute.
- Contact resistance: 20mΩ Max.

Material:

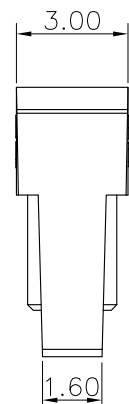
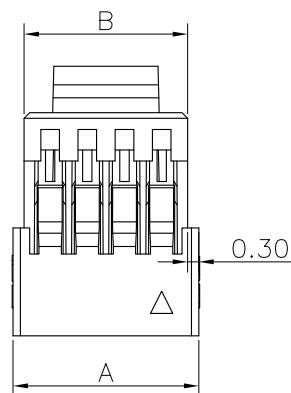
Insulator: PA66 UL 94V-0

Circuits: 2~20

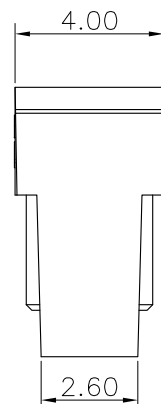
Suitable: KR1000 series Terminal

Ordering code: H100501**0101A

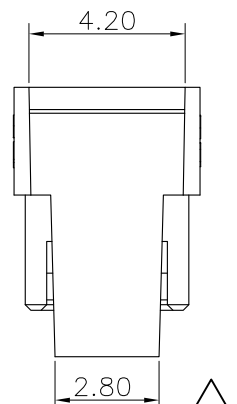
102=2
103=3



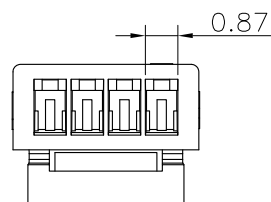
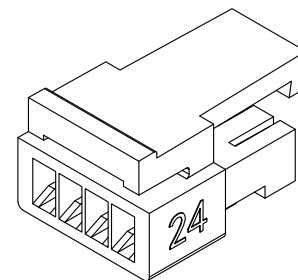
2P Buckle



3P Buckle



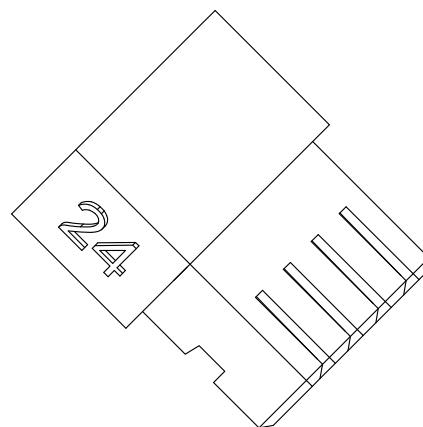
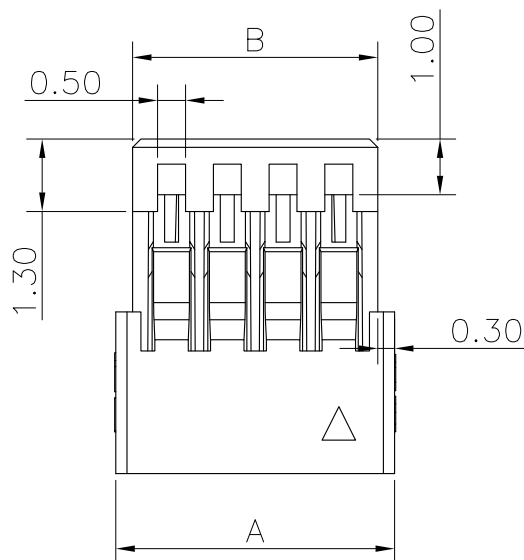
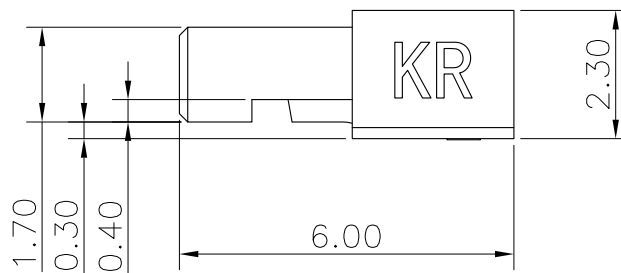
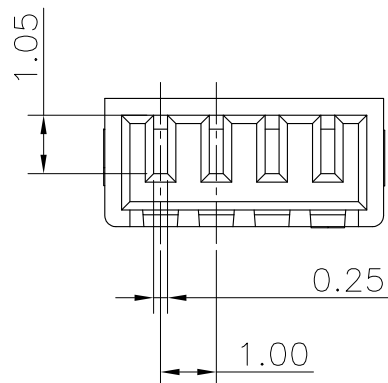
4-8P Buckle



Dimensions			Dimensions		
Circuits	A	B	Circuits	A	B
17	18.00	17.40	8	9.00	8.40
16	17.00	16.40	7	8.00	7.40
15	16.00	15.40	6	7.00	6.40
14	15.00	14.40	5	6.00	5.40
13	14.00	13.40	4	5.00	4.40
12	13.00	12.40	3	4.00	3.40
11	12.00	11.40	2	3.00	2.40
10	11.00	10.40			
9	10.00	9.40			

F		Uniformly arrange the drawings	Shen	2021.08.25	TOLERANCE X.X ±0.30 X.XX ±0.20 X.XXX ±0.10 Angle ±2°	TITLE: SHU1.0 Have buckle Housing	DRAWN: <i>7.2X 2021.08.25</i>	KONNRA 东莞市康瑞电子有限公司 DongGuan Konnra Electronics Co.,Ltd.	
		Change the buckle size and add 9-20P	Arvin	2020.06.22			CHECKED: <i>Shen 2021.08.25</i>		
	MARK	REVISION DESCRIPTION	SIGNATURE	DATE			UNIT:mm		SCALE:1/1

RoHS
COMPLIANT



◆ SPECIFICATIONS

- Current rating: 1A AC, DC
- Voltage rating: 50V AC, DC
- Temperature range: -40°C ~ +105°C
- Insulation resistance: 100MΩ Min.
- Withstanding voltage: 500V AC/ minute.
- Contact resistance: 20mΩ Max.

Material:

Insulator: PA66 UL 94V-0

Circuits: 2~20

Suitable: KR1000 series Terminal

Ordering code:

H100501**0102A

102=2P
103=3P



10P	11.00	10.40
8P	9.00	8.40
7P	8.00	7.40
6P	7.00	6.40
5P	6.00	5.40
4P	5.00	4.40
3P	4.00	3.40
2P	3.00	2.40
Circuits	A	B
Dimensions		



Add 10pin specification

ZSZ

2021.11.04

TOLERANCE

TITLE:
SHU1.0 No buckle
Housing

DRAWN: TLX 2021.08.25

KONNRA 东莞市康瑞电子有限公司
DongGuan Konnra Electronics Co.,Ltd.



Uniformly arrange the drawings

Shen

2021.08.25

X.X ±0.30

CHECKED: ZSZ 2021.11.04



Change the part number and
frame format

TLX

2020.03.25

X.XX ±0.20

APPROVED:

PART NO.: H100501**0102A

MARK

REVISION DESCRIPTION

SIGNATURE

DATE

X.XXX ±0.10

Angle ±2°

UNIT:mm

SCALE:1/1

SHEET:1/1

PROJECTION

REV.:A4

DRAWING NO.:1005H102-A-S

1

2

3

4

5

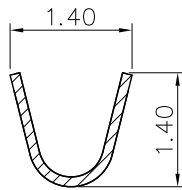
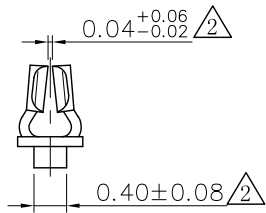
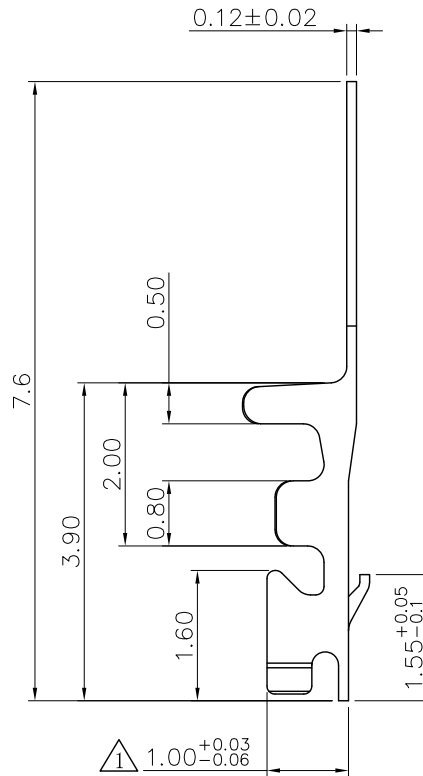
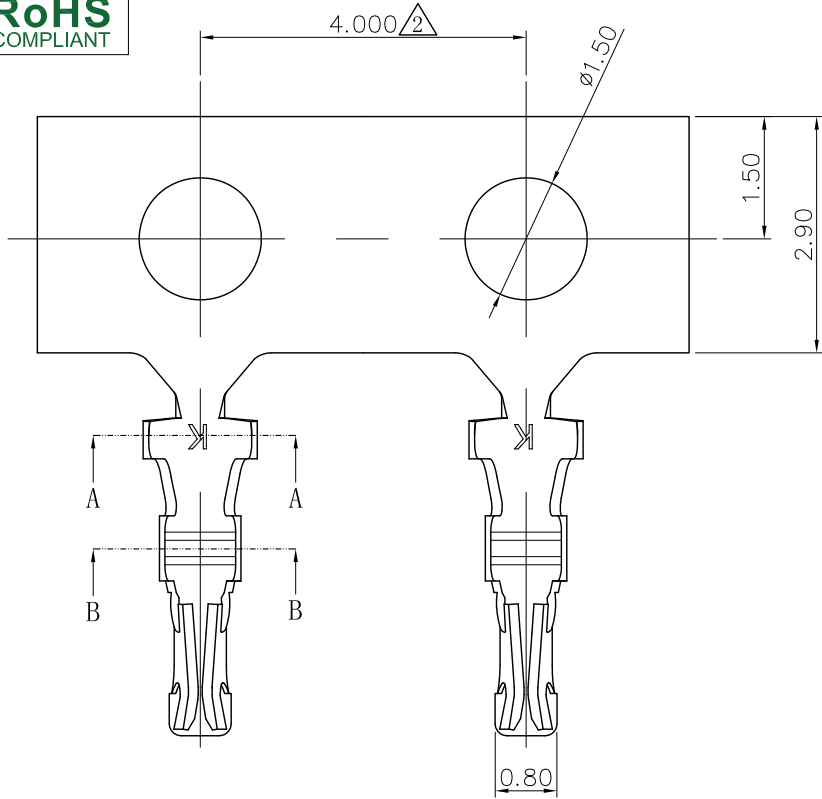
6

7

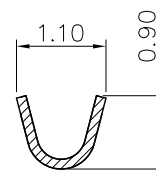
8

9

RoHS
COMPLIANT



SECTION A-A



SECTION B-B

◆ SPECIFICATIONS

- Current rating: 1A AC, DC
- Voltage rating: 50V AC, DC
- Temperature range: -40°C ~ +105°C
- Insulation resistance: 100MΩ Min.
- Withstanding voltage: 500V AC/ minute.
- Contact resistance: 20mΩ Max.

Material: Phosphor Bronze

Finish: Tin Plated or gold plated over Nickel

Applicable wires: AWG #28~#32

Insulation O.D 0.4 to 0.8mm

Suitable: KR1000 series Housing

Qty/reel: 20,000PCS

Ordering Code:

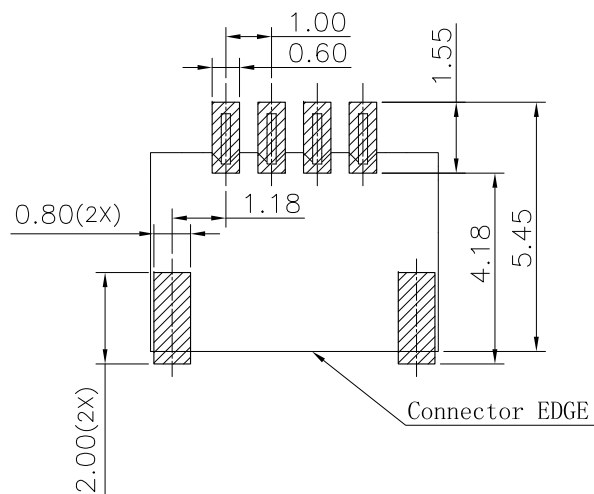
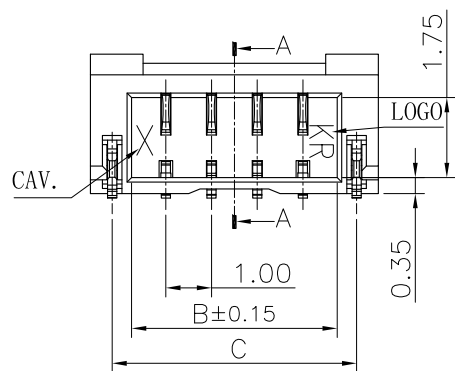
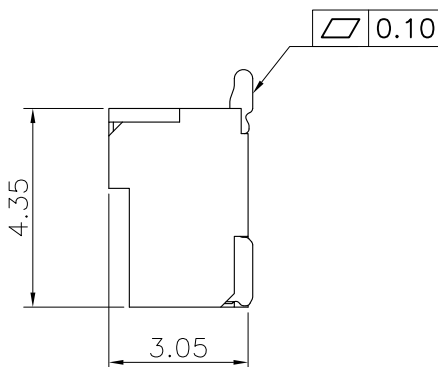
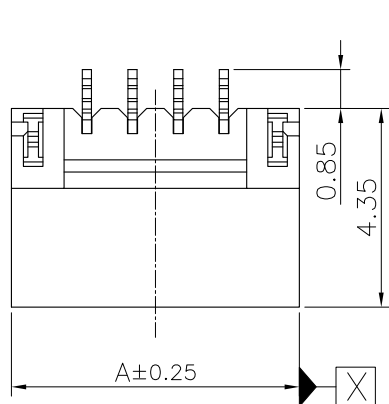
T10050P T01 01A

Plating

T01: Tin plated

F	MARK	△A4	Uniformly arrange the drawings	Shen	2021.08.25	TOLERANCE X.X ±0.3 X.XX ±0.2 X.XXX ±0.1 Angle ±2°	TITLE: SHU1.0 Terminal	DRAWN: TLX 2021.08.25	KONNRA 东莞市康瑞电子有限公司 DongGuan Konnra Electronics Co.,Ltd.		
		△A3	Change the part number and frame format	TLX	2020.04.21					CHECKED: Shen 2021.08.25	
		REVISION DESCRIPTION		SIGNATURE	DATE					APPROVED:	PART NO.: T10050PT0101A
		1	2	3	4					UNIT:mm	SCALE: 1/1

RoHS
COMPLIANT



Recommended P.C.B. Layout
Total tolerance: ±0.05mm

◆ SPECIFICATIONS

Current rating: 1A AC, DC
Voltage rating: 50V AC,DC
Temperature range: -40°C ~ +105°C
Insulation resistance: 100MΩ Min.
Withstanding voltage: 500V AC/ minute.
Contact resistance: 20m Ω Max.

Material:

Insulator: PA9T UL 94V-0
Contact: Copper alloy
Fitting Nail: Copper alloy

Plating: Matte Tin plated over Nickel

Circuits: 2~20

Mates With KR1005 Series Single Row Housing

Ordering code: C1005RS1**11M0102*A

102=2P R:Reel
103=3P P:Bag

11P	13.30	11.50	12.35				
10P	12.30	10.50	11.35	20P	22.30	20.50	21.35
9P	11.30	9.50	10.35	19P	21.30	19.50	20.35
8P	10.30	8.50	9.35	18P	20.30	18.50	19.35
7P	9.30	7.50	8.35	17P	19.30	17.50	18.35
6P	8.30	6.50	7.35	16P	18.30	16.50	17.35
5P	7.30	5.50	6.35	15P	17.30	15.50	16.35
4P	6.30	4.50	5.35	14P	16.30	14.50	15.35
3P	5.30	3.50	4.35	13P	15.30	13.50	14.35
2P	4.30	2.50	3.35	12P	14.30	12.50	13.35
PIN	A	B	C	PIN	A	B	C

Dimensions

Dimensions

F	△2	New Drawings	Shen	2021.12.30	TOLERANCE	TITLE: SHU1.0 Have Buckle SMT 90° WF B TYPE	DRAWN: Shen 2021.12.30		KONNRA 东莞市康瑞电子有限公司 DongGuan Konnra Electronics Co.,Ltd.		
					X.X ±0.20		APPROVED:	PART NO.: C1005RS1**11M0102*A			
△1				X.XX ±0.10	UNIT:mm	SCALE: 1/1			SHEET: 1/1	PROJECTION	REV.: A1
				X.XXX ±0.05							
MARK	REVISION DESCRIPTION	SIGNATURE	DATE	Angle ±2°							

1

2

3

4

5

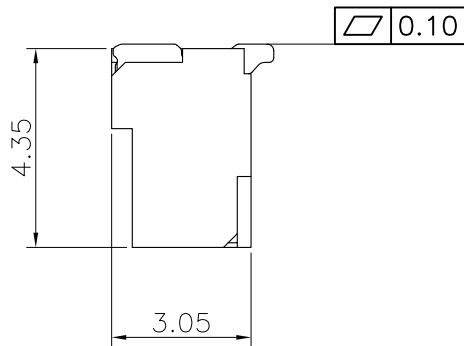
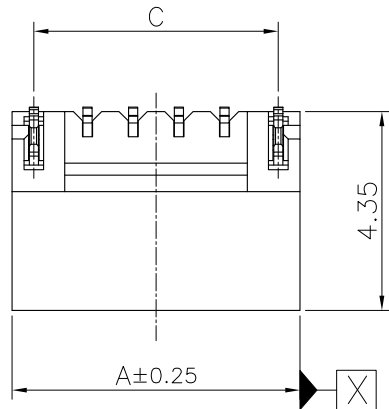
6

7

8

9

RoHS
COMPLIANT



◆ SPECIFICATIONS

Current rating: 1A AC, DC
Voltage rating: 50V AC,DC
Temperature range: -40°C ~ +105°C
Insulation resistance: 100MΩ Min.
Withstanding voltage: 500V AC/ minute.
Contact resistance: 20m Ω Max.

Material:

Insulator: PA9T UL 94V-0
Contact: Copper alloy
Fitting Nail: Copper alloy

Plating: Matte Tin plated over Nickel

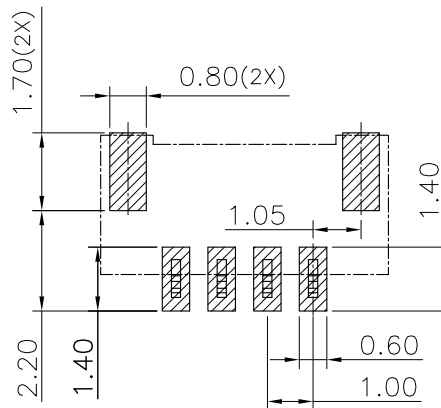
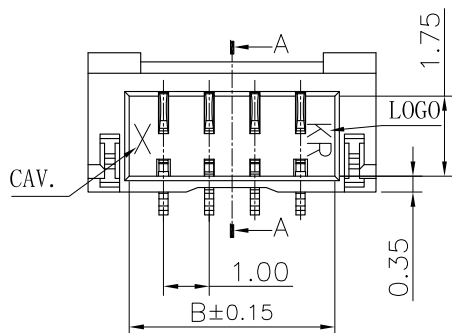
Circuits: 2~20

Mates With KR1005 Series Single Row Housing

Ordering code: C1005VS1**11M0102*A

102=2P
103=3P

R:Reel
P:Bag



Recommended P.C.B. Layout
Total tolerance: ±0.05mm

11P	13.30	11.50	12.35				
10P	12.30	10.50	11.35	20P	22.30	20.50	21.35
9P	11.30	9.50	10.35	19P	21.30	19.50	20.35
8P	10.30	8.50	9.35	18P	20.30	18.50	19.35
7P	9.30	7.50	8.35	17P	19.30	17.50	18.35
6P	8.30	6.50	7.35	16P	18.30	16.50	17.35
5P	7.30	5.50	6.35	15P	17.30	15.50	16.35
4P	6.30	4.50	5.35	14P	16.30	14.50	15.35
3P	5.30	3.50	4.35	13P	15.30	13.50	14.35
2P	4.30	2.50	3.35	12P	14.30	12.50	13.35
PIN	A	B	C	PIN	A	B	C

Dimensions

Dimensions

F	A2	New Drawings	Shen	2021.12.30	TOLERANCE	TITLE: SHU1.0 Have Buckle SMT 180° WF B TYPE	DRAWN: Shen 2021.12.30		KONNRA 东莞市康瑞电子有限公司 DongGuan Konnra Electronics Co.,Ltd.	
					X.X ±0.30		X.XX ±0.20	CHECKED:		
A1					X.XXX ±0.15			APPROVED:	PART NO.: C1005VS1**11M0102*A	
MARK	REVISION DESCRIPTION	SIGNATURE	DATE	Angle ±2°	UNIT:mm	SCALE:1/1	SHEET:1/1	PROJECTION	REV.:A1	DRAWING NO.:1005WVFS02-A-S