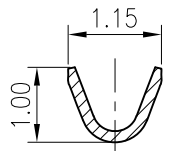
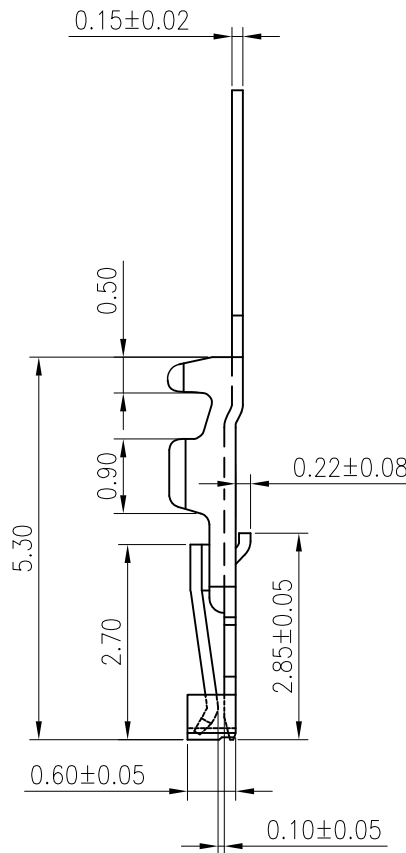
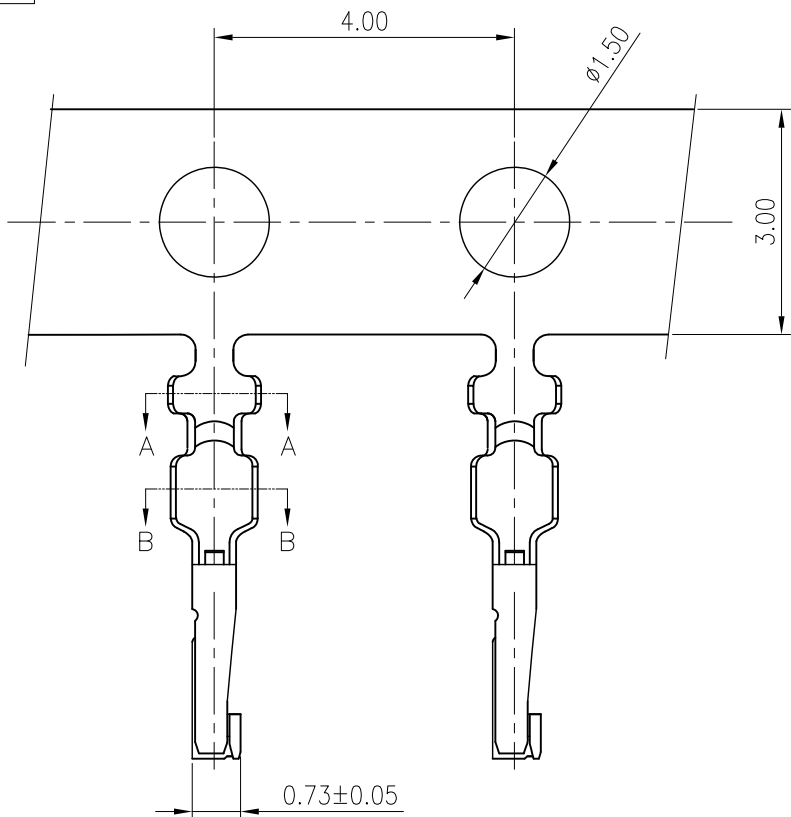
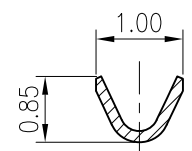


RoHS
COMPLIANT



SECTION A-A



SECTION B-B

SPECIFICATIONS

1. Current rating: 1A AC, DC
2. Voltage rating: 100V AC, DC
3. Temperature range: -40°C ~ +105°C
4. Insulation resistance: 500MΩ/ min.
5. Withstanding voltage: 500V AC/ minute.
6. Contact resistance: 30mΩ/ max.

Material: Phosphor Bronze

Applicable wire:

AWG#28~#32

Insulation O.D. 0.80mm Max.

Plating: Gold plated over Nickel

Suitable KR1002 series Housing

Q'ty/Reel: 20,000 PCS



Uniformly arrange the drawings

Shen

2021.08.25



Change the part number and frame format

Arvin

2020.04.15



MARK

REVISION DESCRIPTION

SIGNATURE

DATE

TOLERANCE
X.X ±0.30
X.XX ±0.20
X.XXX ±0.10
Angle ±2°

TITLE:
DF19 Terminal

DRAWN: *Arvin 2021.08.25*

CHECKED: *Shen 2021.08.25*

APPROVED:

UNIT:mm

SCALE: 1/1

SHEET: 1/1

PROJECTION

KONNRA 东莞市康瑞电子有限公司
DongGuan Konnra Electronics Co.,Ltd.

PART NO.: T10020PG0101A

REV.: A2

DRAWING NO.: 1002T101-A-S