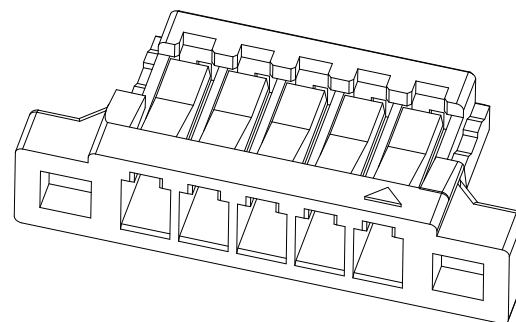
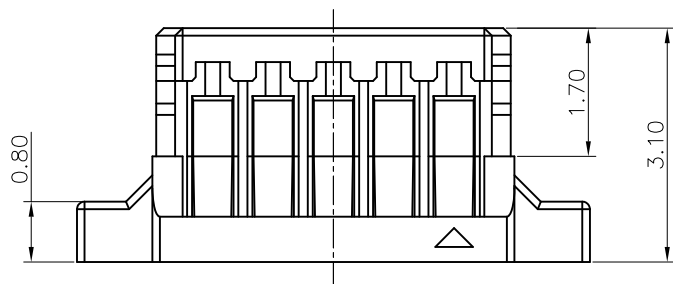
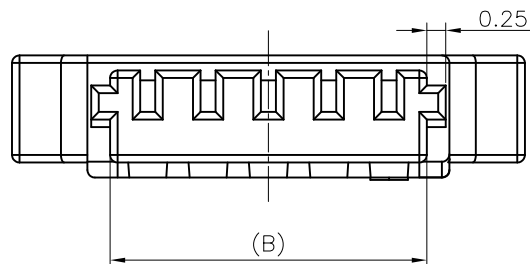


RoHS
COMPLIANT



3D View

◆ SPECIFICATIONS

- Current rating: 0.5A AC, DC
- Voltage rating: 30V AC,DC
- Temperature range: -40°C ~ +105°C
- Insulation resistance: 100MΩ Min.
- Withstanding voltage: 200V AC/ minute.
- Contact resistance: 20mΩ Max.

Material:

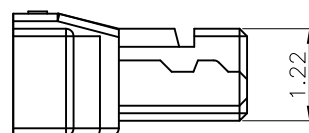
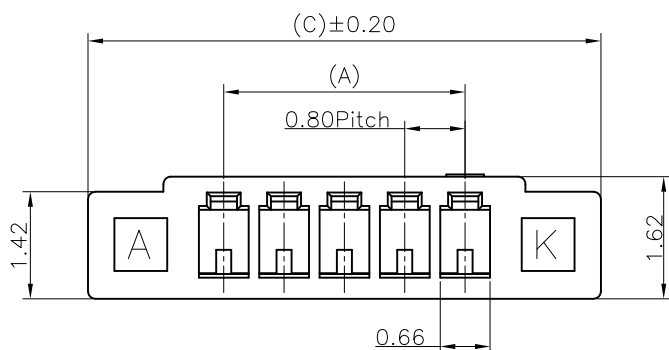
Insulator: Nylon 46 or LCP UL 94V-0
Suitable: KR0800 Series Single Row Wafer

Ordering Code:

H08030 102 13 00 A

No. of Circuits 102:2,120:20 00:Halogen free
01:Standard

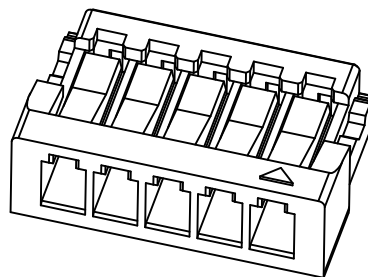
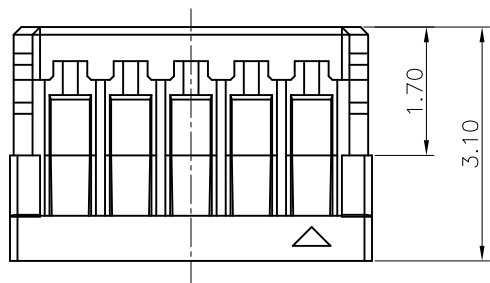
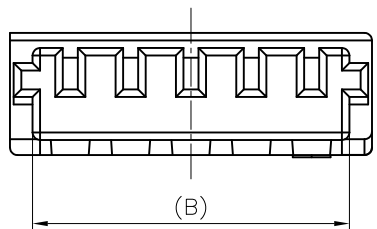
Insulator Material
07:PA46 Natural
13:LCP Natural



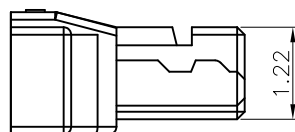
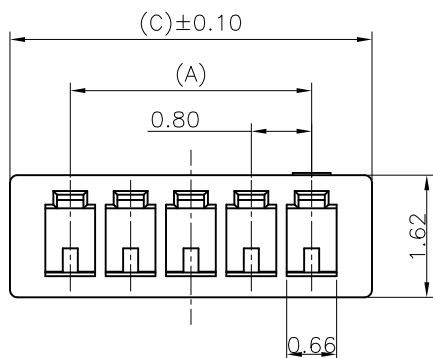
Pin	Dimensions			Pin	Dimensions		
	A	B	C		A	B	C
2P	0.80	1.80	4.40	12P	8.80	9.80	12.40
3P	1.60	2.60	5.20	13P	9.60	10.60	13.20
4P	2.40	3.40	6.00	14P	10.40	11.40	14.00
5P	3.20	4.20	6.80	15P	11.20	12.20	14.80
6P	4.00	5.00	7.60	16P	12.00	13.00	15.60
7P	4.80	5.80	8.40	17P	12.80	13.80	16.40
8P	5.60	6.60	9.20	18P	13.60	14.60	17.20
9P	6.40	7.40	10.00	19P	14.40	15.40	18.00
10P	7.20	8.20	10.80	20P	15.20	16.20	18.80
11P	8.00	9.00	11.60				

F		Add LCP Type	Arvin	2021.12.16	TOLERANCE X.X ±0.30 X.XX ±0.20 X.XXX ±0.10 Angle ±2°	TITLE: 0.8mm Crimp Housing Have ear	DRAWN: Shen 2021.09.23		东莞市康瑞电子有限公司 DongGuan Konnra Electronics Co.,Ltd. PART NO.:H080301****01A REV.:A4 DRAWING NO.:0803H101-A-S		
		Uniformly arrange the drawings	Shen	2021.09.23			CHECKED:				
		Change the part number and frame format	TLX	2020.01.10			APPROVED:				
	MARK	REVISION DESCRIPTION	SIGNATURE	DATE			UNIT:mm	SCALE:1/1			
	1	2	3	4	5	6	7	8	9		

RoHS
COMPLIANT



3D View



◆ SPECIFICATIONS

- Current rating: 0.5A AC, DC
- Voltage rating: 30V AC, DC
- Temperature range: -40°C ~ +105°C
- Insulation resistance: 100MΩ Min.
- Withstanding voltage: 200V AC/ minute.
- Contact resistance: 20mΩ Max.

Material:

Insulator: Nylon 46 UL 94V-0
Suitable: KR0800Series Single Row Wafer

Ordering Code:

H08030 102 07 02A

No. of Circuits

102:2,120:20

Insulator Material

07:PA46 Natural

Dimensions				Dimensions			
Pin	A	B	C	Pin	A	B	C
2P	0.80	1.80	2.40	12P	8.80	9.80	10.40
3P	1.60	2.60	3.20	13P	9.60	10.60	11.20
4P	2.40	3.40	4.00	14P	10.40	11.40	12.00
5P	3.20	4.20	4.80	15P	11.20	12.20	12.80
6P	4.00	5.00	5.60	16P	12.00	13.00	13.60
7P	4.80	5.80	6.40	17P	12.80	13.80	14.40
8P	5.60	6.60	7.20	18P	13.60	14.60	15.20
9P	6.40	7.40	8.00	19P	14.40	15.40	16.00
10P	7.20	8.20	8.80	20P	15.20	16.20	16.80
11P	8.00	9.00	9.60				



Uniformly arrange the drawings

Shen

2021.09.23



Change the part number and frame format

TLX

2020.01.10



MARK

REVISION DESCRIPTION

SIGNATURE

DATE

TOLERANCE

X.X ±0.30

X.XX ±0.20

X.XXX ±0.10

Angle ±2°

TITLE:
0.8mm Crimp
Housing No ear

UNIT:mm

SCALE:1/1

DRAWN: Shen 2021.09.23

CHECKED:

APPROVED:

SHEET:1/1

PROJECTION

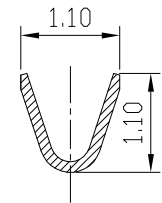
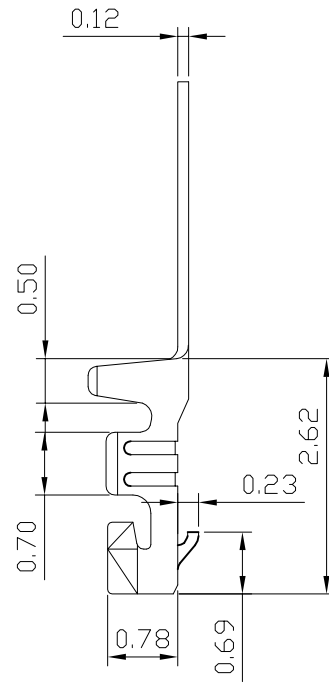
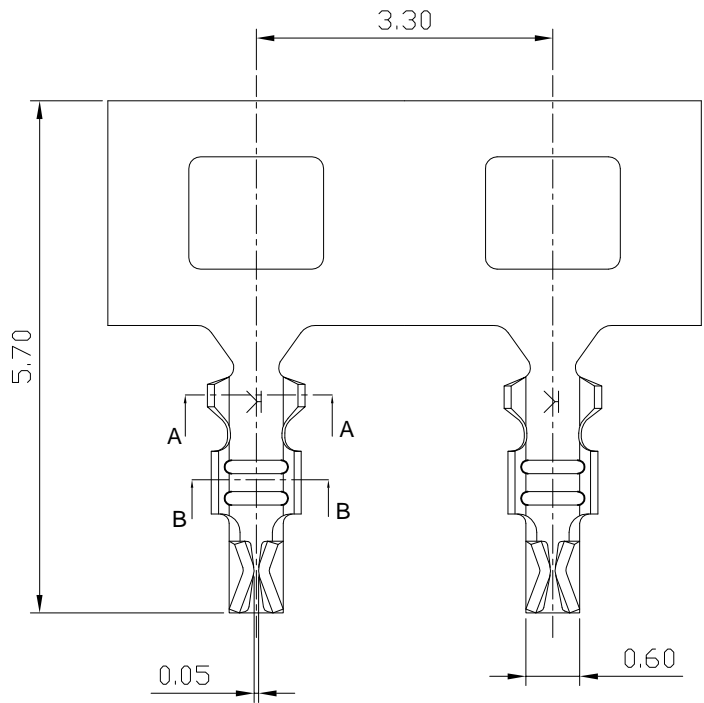
KONNRA 东莞市康瑞电子有限公司
DongGuan Konnra Electronics Co.,Ltd.

PART NO.:H080301**0702A

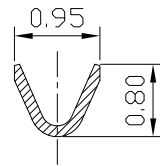
REV.:A3

DRAWING NO.:0803H102-A-S

RoHS
COMPLIANT



SECTION A-A
SCALE 1:1



SECTION B-B
SCALE 1:1

◆ SPECIFICATIONS

- Current rating: 0.5A AC, DC
- Voltage rating: 30V AC, DC
- Temperature range: -40°C ~ +105°C
- Insulation resistance: 100MΩ Min.
- Withstanding voltage: 200V AC/ minute.
- Contact resistance: 20mΩ Max.

Applicable Wires:

AWG#32

Insulation O.D. : 0.60mm MAX

Material: Phosphor Bronze

Finish: Tin plated

Suitable: 0803 series Crimp Housing

Q'TY/Reel: 30,000PCS

Ordering Code:

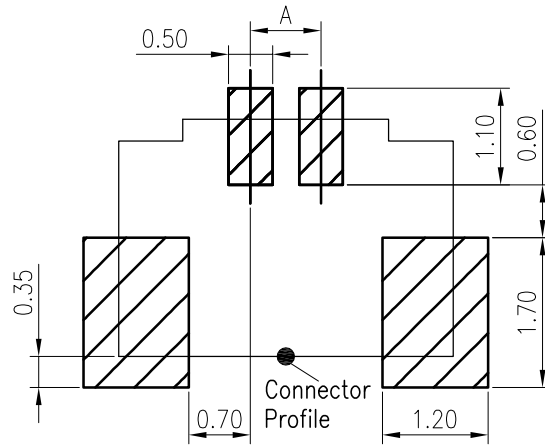
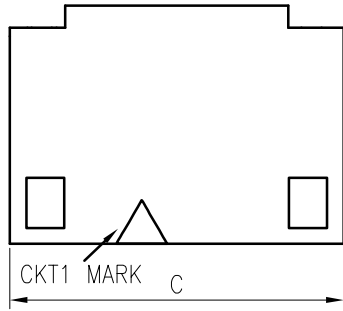
T08030P *** 01A

T01: Sn

G02: Au 1u"

F		Uniformly arrange the drawings	Shen	2021.09.27	TOLERANCE X.X ±0.25 X.XX ±0.15 X.XXX ±0.10 Angle ±2°	TITLE: 0.8mm Crimp Terminal	DRAWN: Shen 2021.09.27		KONNRA 东莞市康瑞电子有限公司		
		Update Gap Size	ZZN	2021.06.07			CHECKED:		DongGuan Konnra Electronics Co., Ltd.		
MARK	REVISION DESCRIPTION	SIGNATURE	DATE	UNIT: mm	SCALE: 1:1	SHEET: 1/1	PROJECTION	REV. : A4	PART NO. : T08030P***01A		
1	2	3	4	5	6	7	8	DRAWING NO. : 0803TF01-A-S			

RoHS
COMPLIANT



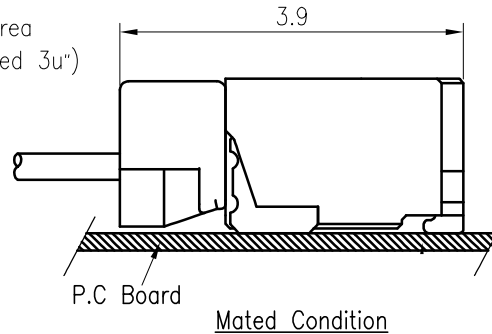
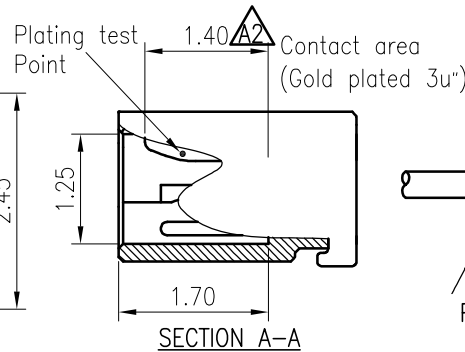
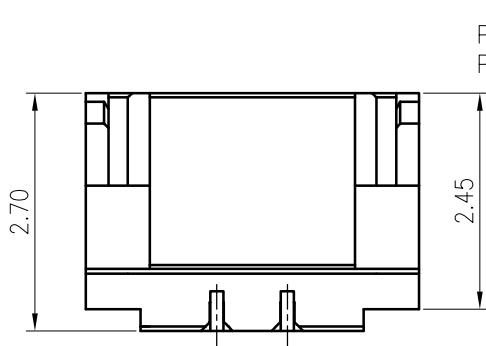
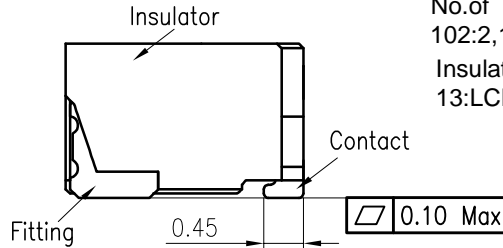
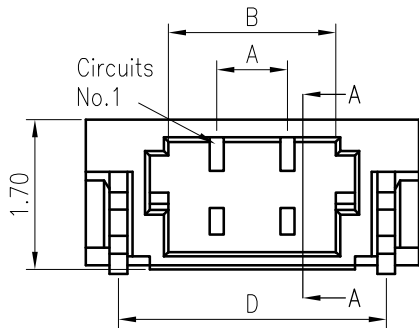
Recommended P.C.B. Layout
Total tolerance: ±0.05mm

C0800RS *** 13 G01 01RA

No. of Circuits 102:2,120:20
Insulator Material 13:LCP Natural

Plating
G01:Gold flash
B03:Selective gold plated 3u"

Circuits	Dimensions			
	A	B	C	D
02	0.80	1.90	3.78	3.04
03	1.60	2.70	4.58	3.84
04	2.40	3.50	5.38	4.64
05	3.20	4.30	6.18	5.44
06	4.00	5.10	6.98	6.24
07	4.80	5.90	7.78	7.04
08	5.60	6.70	8.58	7.84
09	6.40	7.50	9.38	8.64
10	7.20	8.30	10.18	9.44
11	8.00	9.10	10.98	10.24
12	8.80	9.90	11.78	11.04
13	9.60	10.70	12.58	11.84
14	10.40	11.50	13.38	12.64
15	11.20	12.30	14.18	13.44
16	12.00	13.10	14.98	14.24
17	12.80	13.90	15.78	15.04
18	13.60	14.70	16.58	15.84
19	14.40	15.50	17.38	16.64
20	15.20	16.30	18.18	17.44



△3

△4

△3

△2

MARK

TOLERANCE

X. X ±0.30
X. XX ±0.20
X. XXX ±0.10
Angle ±2°

TITLE:
SURO. 8 SMT 90°
Wafer

UNIT: mm

SCALE: N/A

DRAWN: Arvin 2020.03.30

CHECKED:

APPROVED:

SHEET: 1/1

PROJECTION

KONNRA 东莞市康瑞电子有限公司
DongGuan Konnra Electronics Co., Ltd.

PART NO. : C0800RS***13G0101RA

REV. : A4 DRAWING NO. : 0800WRS101-A-S

1

2

3

4

5

6

7

8

9

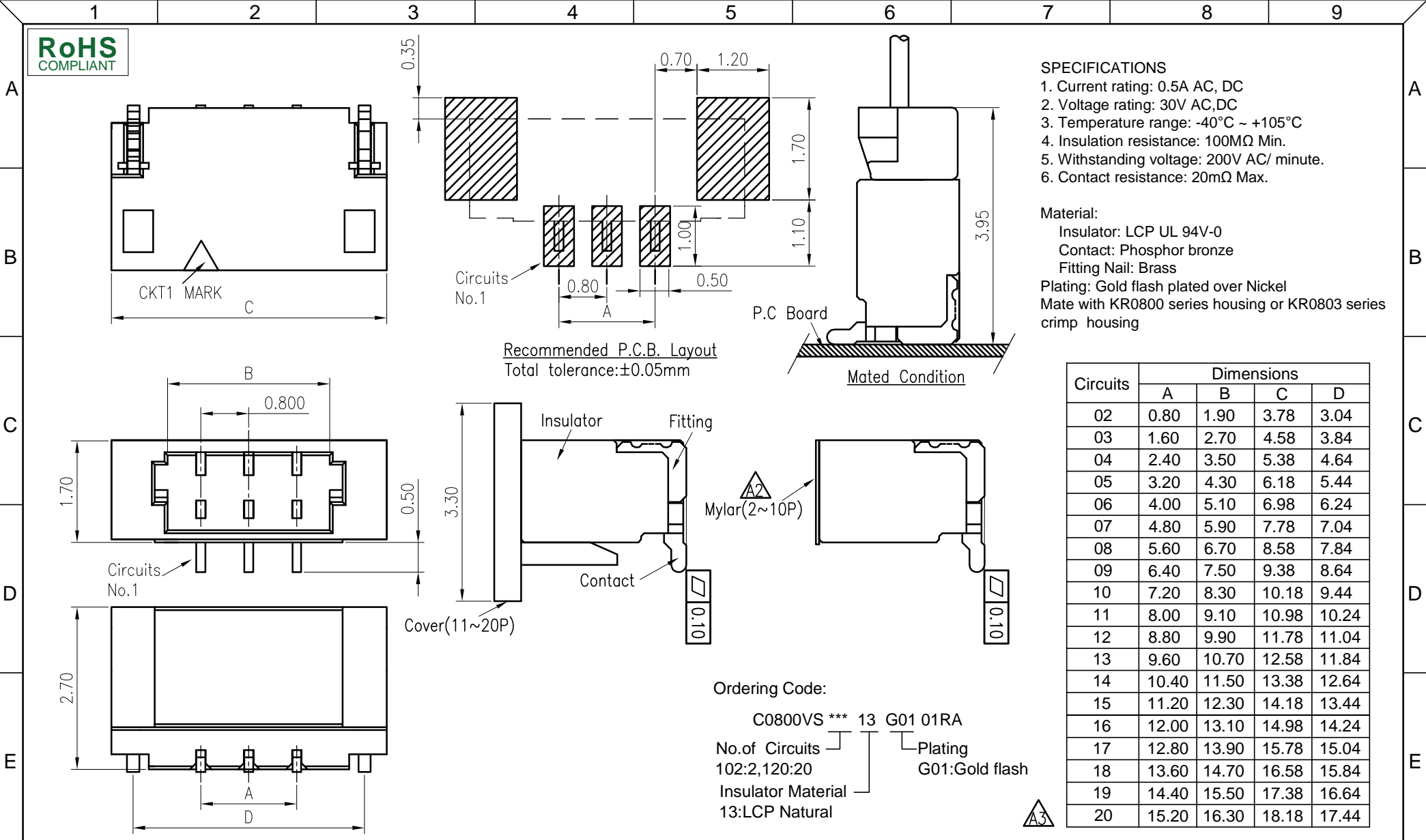
RoHS
COMPLIANT

SPECIFICATIONS

1. Current rating: 0.5A AC, DC
2. Voltage rating: 30V AC,DC
3. Temperature range: -40°C ~ +105°C
4. Insulation resistance: 100MΩ Min.
5. Withstanding voltage: 200V AC/ minute.
6. Contact resistance: 20mΩ Max.

Material:

- Insulator: LCP UL 94V-0
- Contact: Phosphor bronze
- Fitting Nail: Brass
- Plating: Gold flash plated over Nickel
- Mate with KR0800 series housing or KR0803 series crimp housing



Recommended P.C.B. Layout
Total tolerance: ±0.05mm

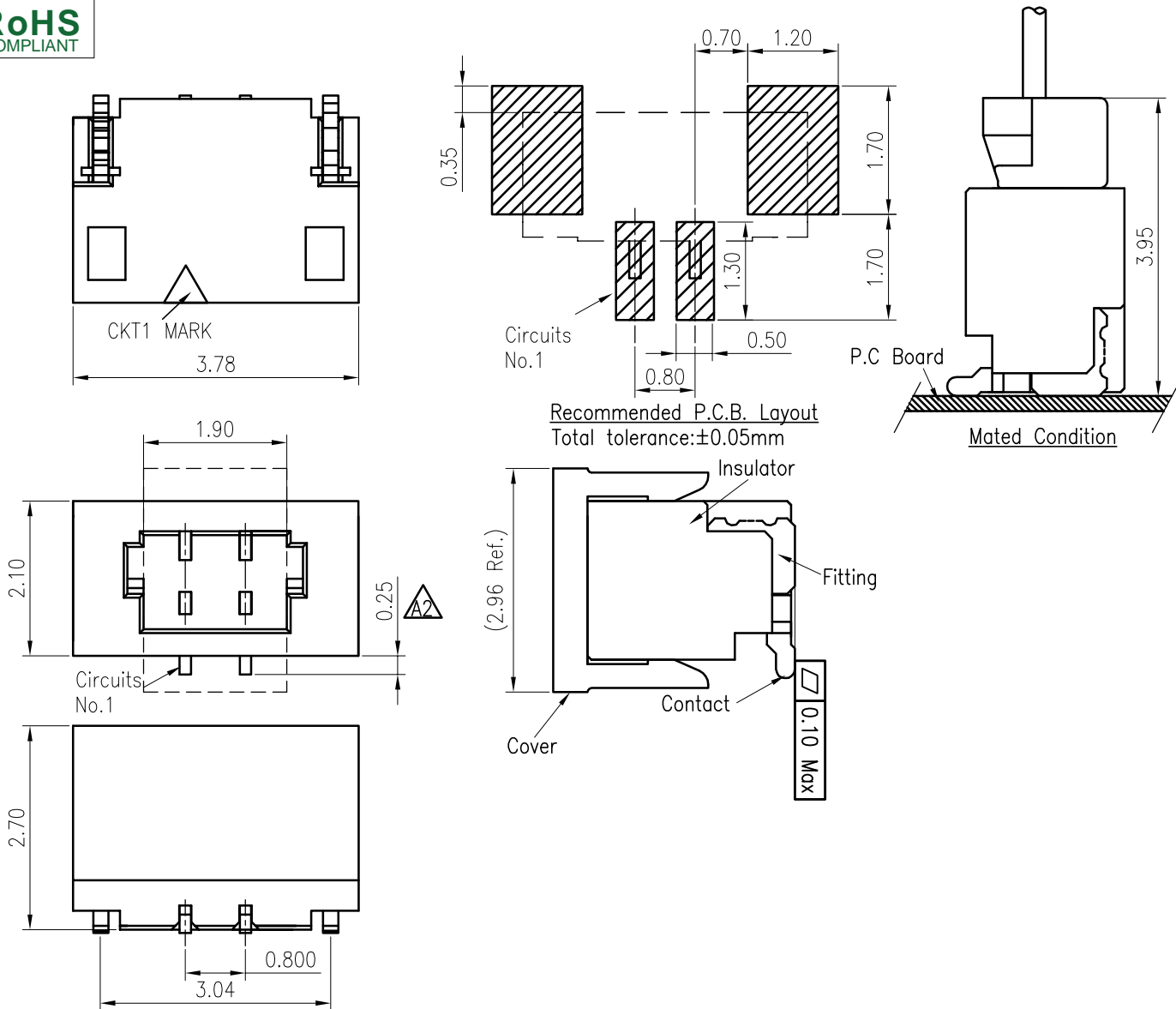
Circuits	Dimensions			
	A	B	C	D
02	0.80	1.90	3.78	3.04
03	1.60	2.70	4.58	3.84
04	2.40	3.50	5.38	4.64
05	3.20	4.30	6.18	5.44
06	4.00	5.10	6.98	6.24
07	4.80	5.90	7.78	7.04
08	5.60	6.70	8.58	7.84
09	6.40	7.50	9.38	8.64
10	7.20	8.30	10.18	9.44
11	8.00	9.10	10.98	10.24
12	8.80	9.90	11.78	11.04
13	9.60	10.70	12.58	11.84
14	10.40	11.50	13.38	12.64
15	11.20	12.30	14.18	13.44
16	12.00	13.10	14.98	14.24
17	12.80	13.90	15.78	15.04
18	13.60	14.70	16.58	15.84
19	14.40	15.50	17.38	16.64
20	15.20	16.30	18.18	17.44

Ordering Code:

C0800VS *** 13 G01 01RA
 No. of Circuits 102:2,120:20 Plating G01:Gold flash
 Insulator Material 13:LCP Natural

F		Uniformly arrange the drawings	Shen	2021.11.04	TOLERANCE X. X ±0.30 X. XX ±0.20 X. XXX ±0.10 Angle ±2°	TITLE: SURO.8 SMT 180° Wafer		DRAWN: Shen 2021.11.04		KONNRA 东莞市康瑞电子有限公司 DongGuan Konnra Electronics Co., Ltd.	
		Change the part number and frame format	Arvin	2020.03.30		UNIT: mm SCALE: 1/1		CHECKED:		PART NO. : C0800VS***13G0101RA	
	MARK	REVISION DESCRIPTION	SIGNATURE	DATE		UNIT: mm	SCALE: 1/1	SHEET: 1/1	PROJECTION	REV. : A5	DRAWING NO. : 0800WS101-A-S

RoHS
COMPLIANT



SPECIFICATIONS

1. Current rating: 0.5A AC, DC
2. Voltage rating: 30V AC, DC
3. Temperature range: -40°C ~ +105°C
4. Insulation resistance: 100MΩ Min.
5. Withstanding voltage: 200V AC/ minute.
6. Contact resistance: 20mΩ Max.

Material:

- Insulator: LCP UL 94V-0
- Contact: Phosphor bronze
- Fitting Nail: Brass
- Plating: Gold flash plated over Nickel
- Mate with KR0800 or KR0803 series housing 2P

F					TOLERANCE X.X ±0.30 X.XX ±0.20 X.XXX ±0.10 Angle ±2°	TITLE: SURO.8 SMT 180° Wafer 2P B款	DRAWN: Arvin 2020.10.23		KONNRA 东莞市康瑞电子有限公司	
							CHECKED:		DongGuan Konnra Electronics Co., Ltd.	
		Change dimensions	Arvin	2021.11.10			APPROVED:		PART NO. : C0800VS10213G0111RA	
	MARK	REVISION DESCRIPTION	SIGNATURE	DATE			UNIT: mm	SCALE: N/A	SHEET: 1/1	PROJECTION
	1	2	3	4	5	6	7	8	9	