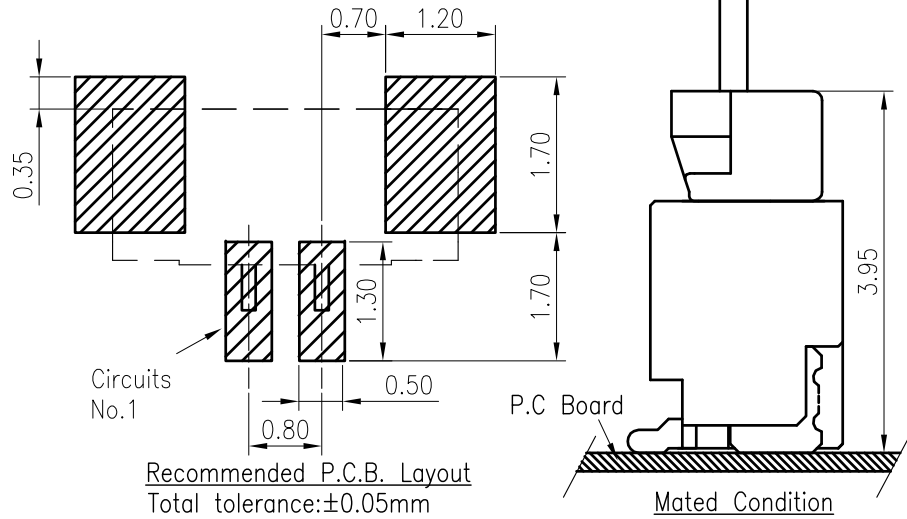
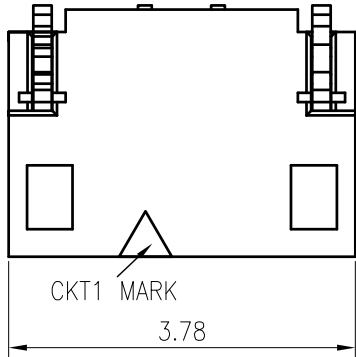


RoHS
COMPLIANT



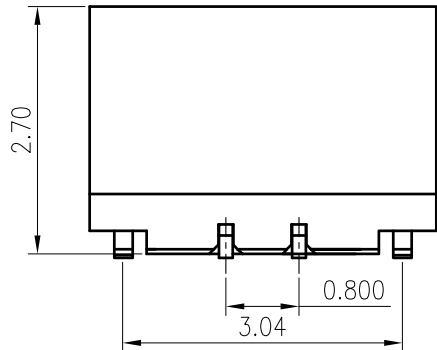
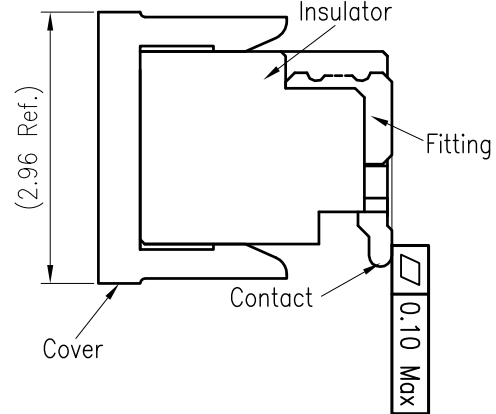
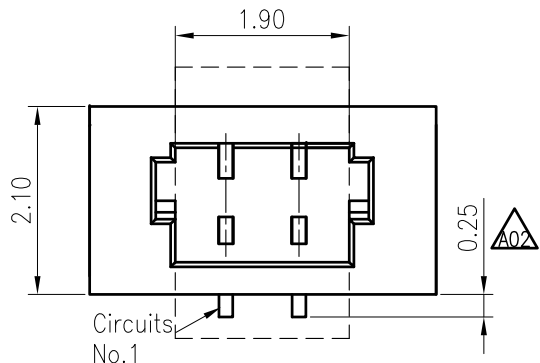
Recommended P.C.B. Layout
Total tolerance: ±0.05mm

SPECIFICATIONS

1. Current rating: 0.5A AC, DC
2. Voltage rating: 30V AC,DC
3. Temperature range: -40°C ~ +105°C
4. Insulation resistance: 100MΩ Min.
5. Withstanding voltage: 200V AC/ minute.
6. Contact resistance: 20mΩ Max.

Material:

- Insulator: LCP UL 94V-0
- Contact: Phosphor bronze
- Fitting Nail: Brass
- Plating: Gold flash plated over Nickel
- Mate with KR0800 or KR0803 series housing 2P



F	A04			TOLERANCE	TITLE:	DRAWN: <i>Arvin 2020.10.23</i>	KONNRA 东莞市康瑞电子有限公司				
	A03	Correct the material number according to the material	ZSZ	2023.05.16	X.X ±0.30	SURO.8 SMT 180°	CHECKED:		DongGuan Konnra Electronics Co.,Ltd.		
	A02	Change dimensions	Arvin	2021.11.10	X.XX ±0.20	Wafer 2P B Type	APPROVED:		PART NO.: C0800VS10213G0110RA		
	MARK	REVISION DESCRIPTION	SIGNATURE	DATE	X.XXX ±0.10	halogen-free	UNIT:mm	SCALE:N/A	SHEET:1/1	PROJECTION	REV.:A03
	1	2	3	4	5	6	7	8	9		