

RoHS
COMPLIANT

SPECIFICATIONS

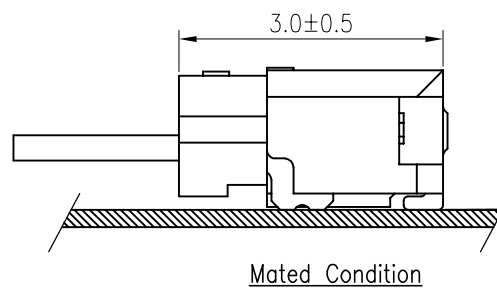
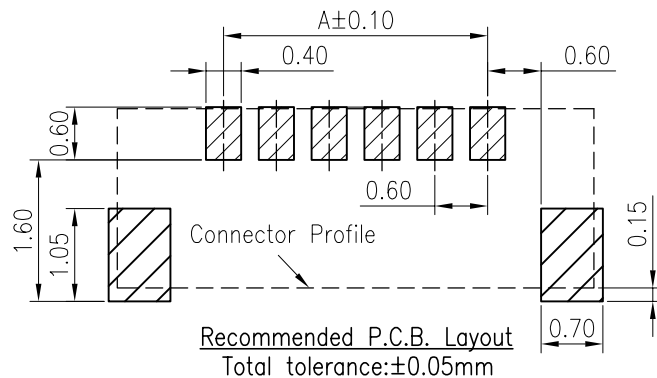
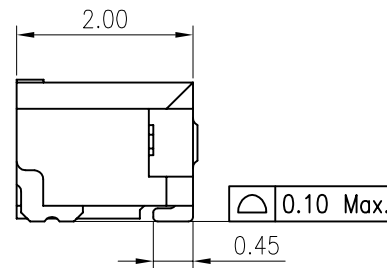
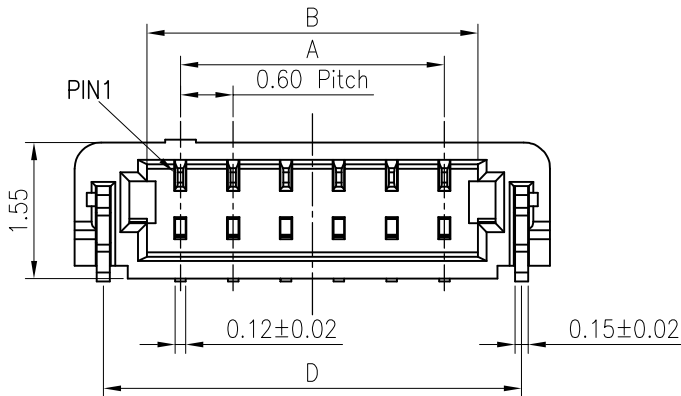
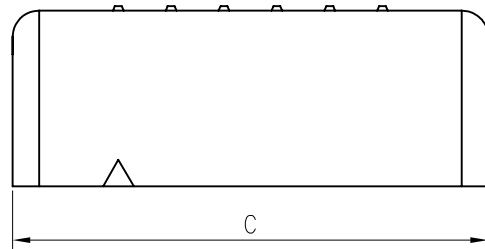
1. Current rating: 0.2A AC, DC(36AWG)
0.3AAC, DC(34AWG)
2. Voltage rating: 30V AC,DC
3. Temperature range: -40°C ~ +105°C
4. Insulation resistance: 100MΩ Min.
5. Withstanding voltage: 200V AC/ minute.
6. Contact resistance: 40mΩ Max.

Material:

Insulator: LCP UL 94V-0
 Contact: Phosphor bronze/Gold flash over nickel
 Fitting Nail: Brass/Matte plated over nickel
 Plating: Gold flash over Nickel
 Mate with KR0600 series housing

C0600RS *** 14 G01 01RA
 No. of Circuits 102:2,116:16
 Insulator Material 14:LCP Black
 Plating G01:Gold flash

Circuits	Dimensions			
	A	B	C	D
2	0.60	1.36	3.00	2.35
4	1.80	2.56	4.20	3.55
5	2.40	3.16	4.80	4.15
6	3.00	3.76	5.40	4.75
7	3.60	4.36	6.00	5.35
8	4.20	4.96	6.60	5.95
10	5.40	6.16	7.80	7.15
12	6.60	7.36	9.00	8.35
14	7.80	8.56	10.20	9.55
16	9.00	9.76	11.40	10.75



F					TOLERANCE X. X ±0.30 X. XX ±0.20 X. XXX ±0.10 Angle ±2°	TITLE: XSRO.6 SMT 90° Wafer	DRAWN: Arvin 2020.08.04 CHECKED: APPROVED:	KONNRA 东莞市康瑞电子有限公司 DongGuan Konnra Electronics Co., Ltd.		
MARK	REVISION DESCRIPTION	SIGNATURE	DATE		UNIT: mm	SCALE: N/A	SHEET: 1/1	PROJECTION	REV. : A1	DRAWING NO. : 0600WRS101-A-S