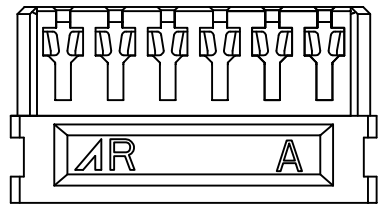
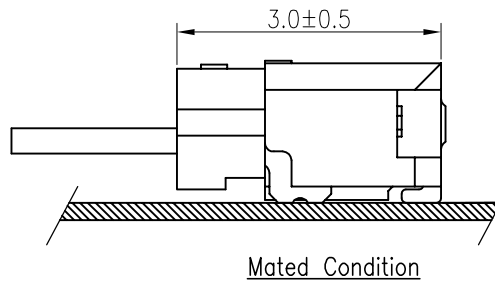
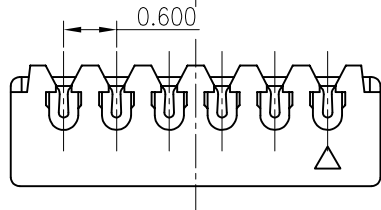
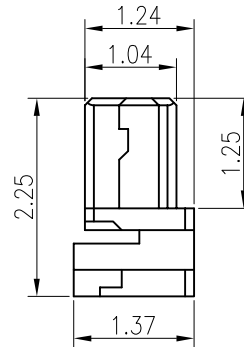
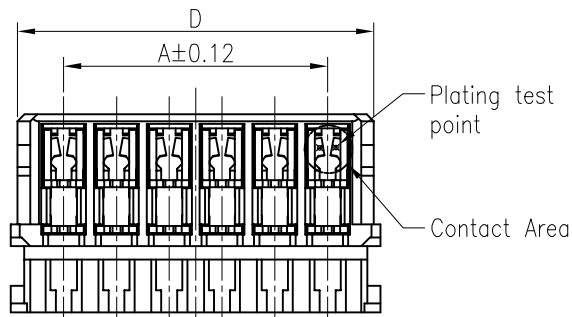
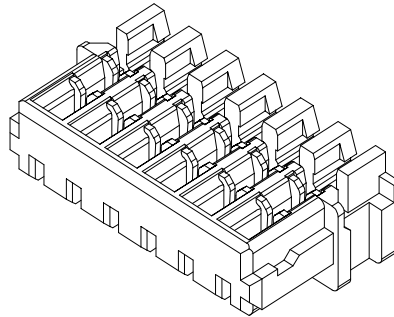
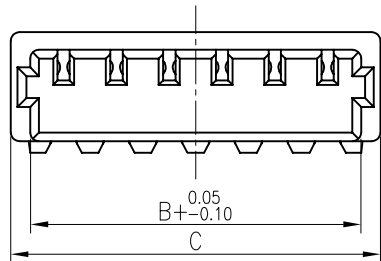


RoHS
COMPLIANT



SPECIFICATIONS

1. Current rating: 0.2A AC, DC(36AWG)
0.3AAC, DC(34AWG)
2. Voltage rating: 30V AC,DC
3. Temperature range: -40°C ~ +105°C
4. Insulation resistance: 100MΩ Min.
5. Withstanding voltage: 200V AC/ minute.
6. Contact resistance: 40mΩ Max.

Material:

Housing: LCP UL 94V-0
Contact: Phosphor bronze/Gold flash over nickel
Applicable wire:
AWG #36,AWG #34
Insulation OD: Ø0.29±0.02mm(AWG #36)
Ø0.32±0.02mm(AWG #34)
Mate with KR0600 series Wafer

Ordering code:

H06000 *** 14 01RA

No. of Circuits
102:2,116:16

Insulator Material
13:LCP Natural
14:LCP Black

| Circuits | Dimensions | | | |
|----------|------------|------|-------|-------|
| | A | B | C | D |
| 2 | 0.60 | 1.36 | 1.80 | 1.65 |
| 4 | 1.80 | 2.56 | 2.40 | 2.85 |
| 5 | 2.40 | 3.16 | 3.00 | 3.45 |
| 6 | 3.00 | 3.76 | 3.60 | 4.05 |
| 7 | 3.60 | 4.36 | 4.20 | 4.65 |
| 8 | 4.20 | 4.96 | 5.40 | 5.25 |
| 10 | 5.40 | 6.16 | 6.60 | 6.45 |
| 12 | 6.60 | 7.36 | 7.80 | 7.65 |
| 16 | 9.00 | 9.76 | 10.20 | 10.05 |



MARK

1

2

3

4

5

6

7

8

9

TOLERANCE

X. X ± 0.30
X. XX ± 0.20
X. XXX ± 0.10
Angle ± 2°

TITLE:
XSRO.6 Housing

UNIT: mm SCALE: N/A

DRAWN: Arvin 2021.01.04

CHECKED:

APPROVED:

SHEET: 1/1 PROJECTION

KONNRA 东莞市康瑞电子有限公司
DongGuan Konnra Electronics Co., Ltd.

PART NO. : H06000***1401A

REV. : A1 DRAWING NO. : 0600H101-A-S