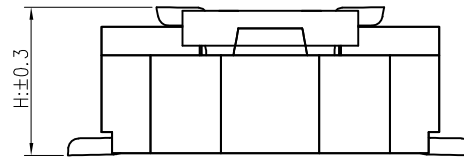
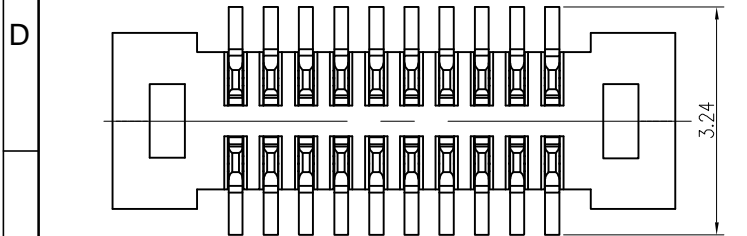
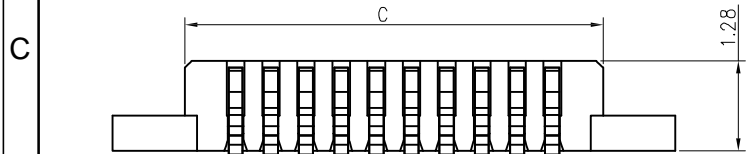
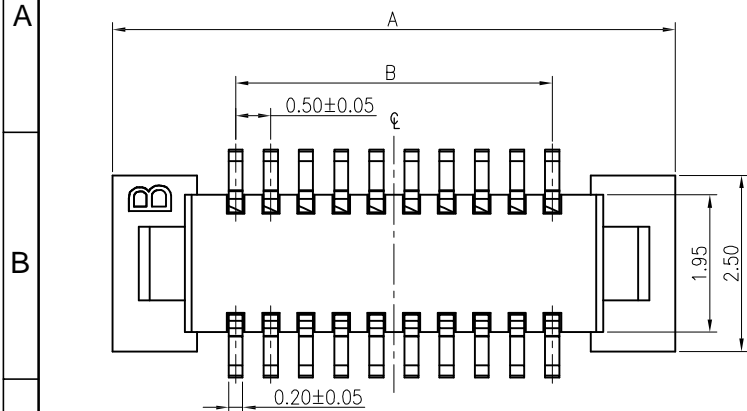
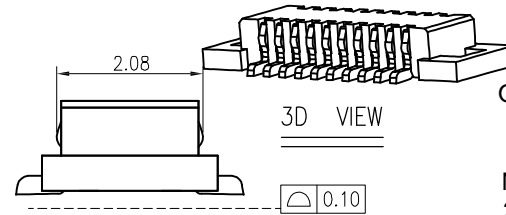


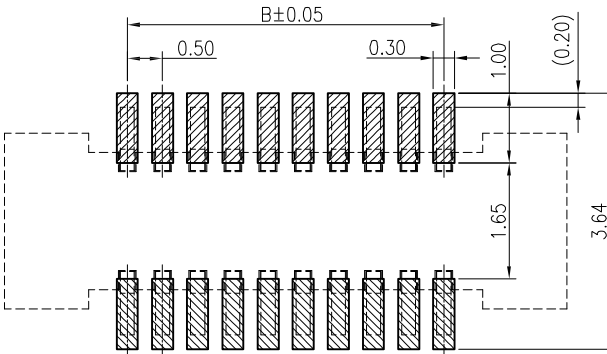
RoHS
COMPLIANT



MATING HEIGHT



3D VIEW



Recommended P.C.B. Layout
Total tolerance:±0.05mm

SPECIFICATIONS

1. Current rating: 0.5A AC, DC
2. Voltage rating: 50V AC,DC
3. Temperature range: -40°C ~ +105°C
4. Insulation resistance: 500MΩ/ min.
5. Withstanding voltage: 200V AC/ minute.
6. Contact resistance: 40mΩ/ max.

Material:

- Insulator: LCP UL 94V-0
- Contact: Phosphor bronze
- Plating: Gold flash over nickel
- Mate with KR0500 series plug

Ordering Code:

C0500VS *** 01 G0102RB

No. of Circuits
205:2x5,250:2x50

Insulator Material
13:LCP Natural

MATING HEIGHT	PLUG (H.)	SOCKET (H.)	H1	H2
1.5	1.28	1.5	0.9	1.4
2.0		2.0	1.4	1.9
2.5		2.5	1.9	2.4
NO. of contacts	Dimensions			
	A.	B.	C.	D.
2*5	5.50	2.00	3.45	4.96
2*6	6.00	2.50	3.95	5.46
2*7	6.50	3.00	4.45	5.96
2*8	7.00	3.50	4.95	6.46
2*9	7.50	4.00	5.45	6.96
2*10	8.00	4.50	5.95	7.46
2*11	8.50	5.00	6.45	7.96
2*12	9.00	5.50	6.95	8.46
2*13	9.50	6.00	7.45	8.96
2*14	10.00	6.50	7.95	9.46
2*15	10.50	7.00	8.45	9.96
2*16	11.00	7.50	8.95	10.46
2*18	12.00	8.50	9.95	11.46
2*20	13.00	9.50	10.95	12.46
2*25	15.50	12.00	13.45	14.96
2*50	28.00	24.50	25.95	27.46



MARK

1

2

3

4

5

6

7

8

9

TOLERANCE

- X. X ±0.30
- X. XX ±0.20
- X. XXX ±0.10
- Angle ±2°

TITLE:

0.5 BTB Plug

UNIT: mm

SCALE: N/A

DRAWN: Arvin 2020.03.05

CHECKED:

APPROVED:

SHEET: 1/1

PROJECTION

KONNRA 东莞市康瑞电子有限公司

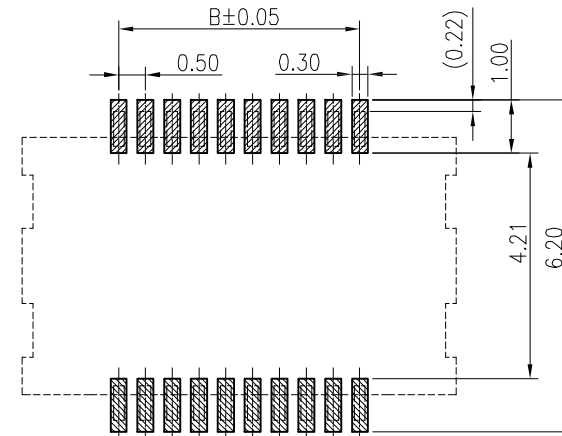
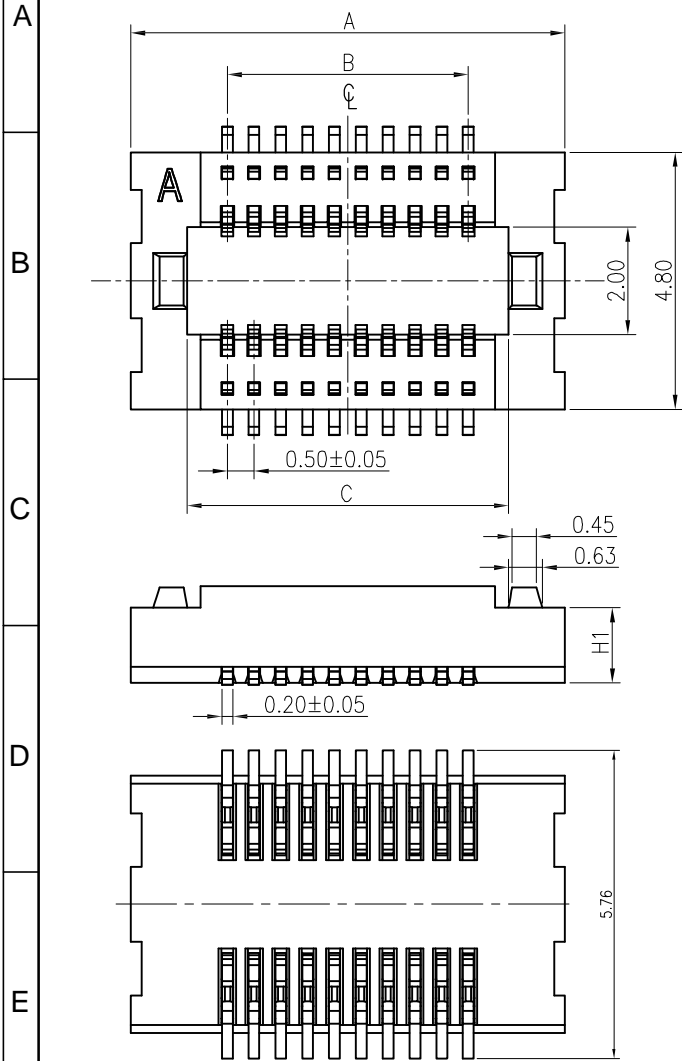
DongGuan Konnra Electronics Co., Ltd.

PART NO. : C0500VS***13G0102RB

REV. : A1

DRAWING NO. : 0500WMS201-B-S

RoHS
COMPLIANT



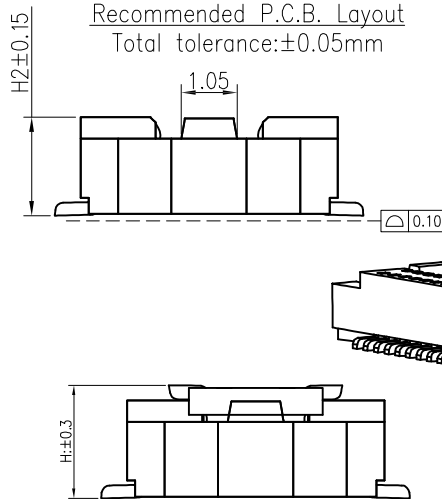
Recommended P.C.B. Layout
Total tolerance: ± 0.05 mm

Ordering Code:

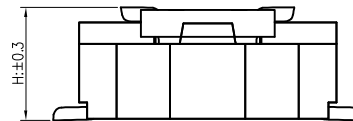
C0500VS *** 01 G01 01 RB

No. of Circuits
205:2x5,250:2x50
Insulator Material
13:LCP Natural

Type
01:H=2.5
03:H=2.0
04:H=1.5



3D VIEW



SPECIFICATIONS

1. Current rating: 0.5A AC, DC
2. Voltage rating: 50V AC,DC
3. Temperature range: $-40^{\circ}\text{C} \sim +105^{\circ}\text{C}$
4. Insulation resistance: 500M Ω / min.
5. Withstanding voltage: 200V AC/ minute.
6. Contact resistance: 40m Ω / max.

Material:

Insulator: LCP UL 94V-0
Contact: Phosphor bronze
Plating: Gold flash over nickel
Mate with KR0500 series plug

MATING HEIGHT	PLUG (H.)	SOCKET (H.)	H1	H2
1.5	1.28	1.5	0.9	1.4
2.0		2.0	1.4	1.9
2.5		2.5	1.9	2.4

NO. of contacts	Dimensions			
	A	B	C	D
2*5	5.60	2.00	3.50	3.90
2*6	6.10	2.50	4.00	4.40
2*7	6.60	3.00	4.50	4.90
2*8	7.10	3.50	5.00	5.40
2*9	7.60	4.00	5.50	5.90
2*10	8.10	4.50	6.00	6.40
2*11	8.60	5.00	6.50	6.90
2*12	9.10	5.50	7.00	7.40
2*13	9.60	6.00	7.50	7.90
2*14	10.10	6.50	8.00	8.40
2*15	10.60	7.00	8.50	8.90
2*16	11.10	7.50	9.00	9.40
2*18	12.10	8.50	10.00	10.40
2*20	13.10	9.50	11.00	11.40
2*25	15.60	12.00	13.50	13.90
2*50	28.10	24.50	26.00	26.40

MARK	REVISION DESCRIPTION	SIGNATURE	DATE	TOLERANCE		TITLE:		DRAWN: Arvin 2020.03.05		KONNRA 东莞市康瑞电子有限公司 DongGuan Konnra Electronics Co., Ltd.	
				X. X	± 0.30	0.5 BTB Socket		CHECKED:			
A4				X. XX	± 0.20			APPROVED:		PART NO. : C0500VS***13G0101RB	
A3				X. XXX	± 0.10	UNIT: mm	SCALE: N/A	SHEET: 1/1	PROJECTION	REV. : A1	DRAWING NO. : 0500WFVS201-B-S
A2				Angle	$\pm 2^{\circ}$						