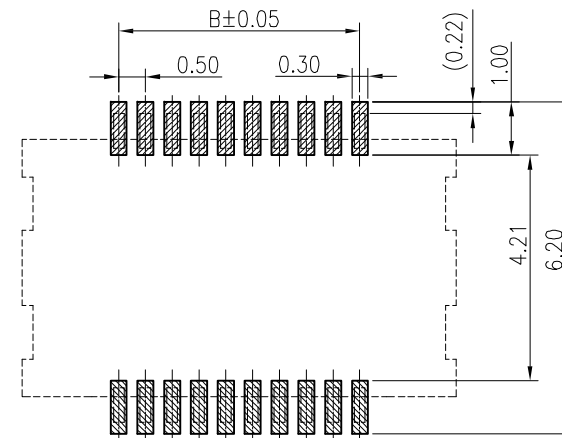
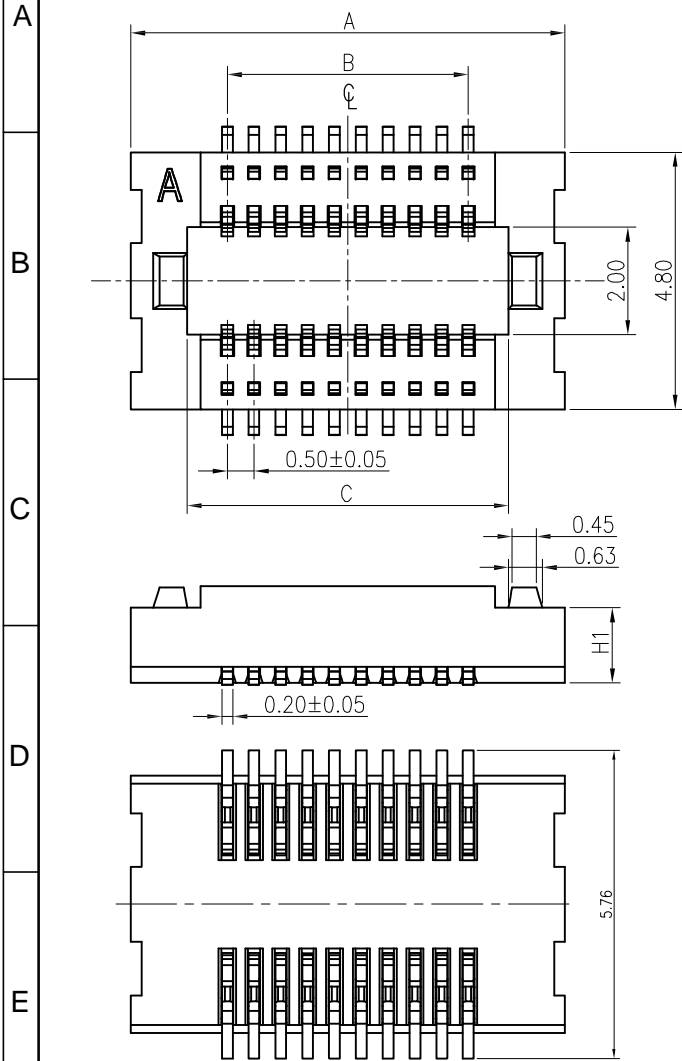


RoHS
COMPLIANT



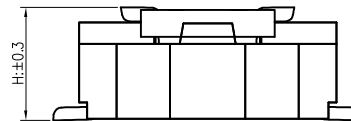
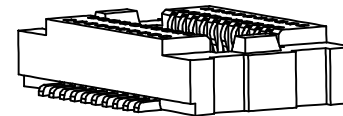
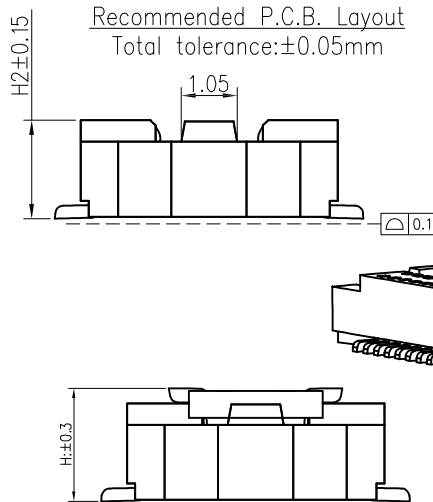
Recommended P.C.B. Layout
Total tolerance: ± 0.05 mm

Ordering Code:

C0500VS *** 01 G01 01 RB

No. of Circuits
205:2x5,250:2x50
Insulator Material
13:LCP Natural

Type
01:H=2.5
03:H=2.0
04:H=1.5



SPECIFICATIONS

1. Current rating: 0.5A AC, DC
2. Voltage rating: 50V AC,DC
3. Temperature range: -40°C ~ +105°C
4. Insulation resistance: 500M Ω / min.
5. Withstanding voltage: 200V AC/ minute.
6. Contact resistance: 40m Ω / max.

Material:

Insulator: LCP UL 94V-0
Contact: Phosphor bronze
Plating: Gold flash over nickel
Mate with KR0500 series plug

MATING HEIGHT	PLUG (H.)	SOCKET (H.)	H1	H2
1.5	1.28	1.5	0.9	1.4
2.0		2.0	1.4	1.9
2.5		2.5	1.9	2.4

NO. of contacts	Dimensions			
	A	B	C	D
2*5	5.60	2.00	3.50	3.90
2*6	6.10	2.50	4.00	4.40
2*7	6.60	3.00	4.50	4.90
2*8	7.10	3.50	5.00	5.40
2*9	7.60	4.00	5.50	5.90
2*10	8.10	4.50	6.00	6.40
2*11	8.60	5.00	6.50	6.90
2*12	9.10	5.50	7.00	7.40
2*13	9.60	6.00	7.50	7.90
2*14	10.10	6.50	8.00	8.40
2*15	10.60	7.00	8.50	8.90
2*16	11.10	7.50	9.00	9.40
2*18	12.10	8.50	10.00	10.40
2*20	13.10	9.50	11.00	11.40
2*25	15.60	12.00	13.50	13.90
2*50	28.10	24.50	26.00	26.40

MARK	REVISION DESCRIPTION	SIGNATURE	DATE	TOLERANCE	TITLE:	DRAWN:	KONNRA 东莞市康瑞电子有限公司 DongGuan Konnra Electronics Co., Ltd.			
A4				X. X ± 0.30	0.5 BTB Socket	Arvin 2020.03.05	PART NO. : C0500VS***13G0101RB			
A3			X. XX ± 0.20	CHECKED:						
A2			X. XXX ± 0.10	APPROVED:						
				Angle $\pm 2^\circ$	UNIT: mm	SCALE: N/A	SHEET: 1/1	PROJECTION	REV. : A1	DRAWING NO. : 0500WFVS201-B-S