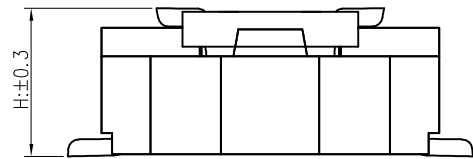
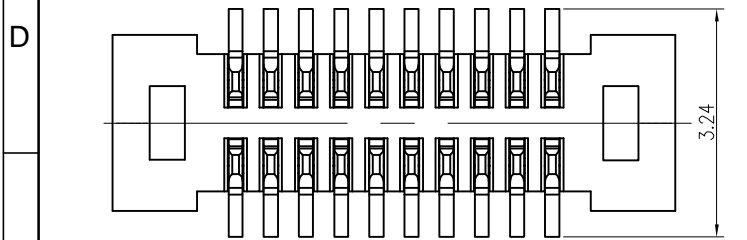
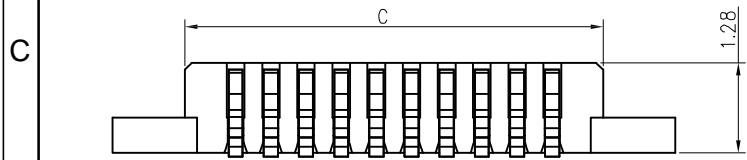
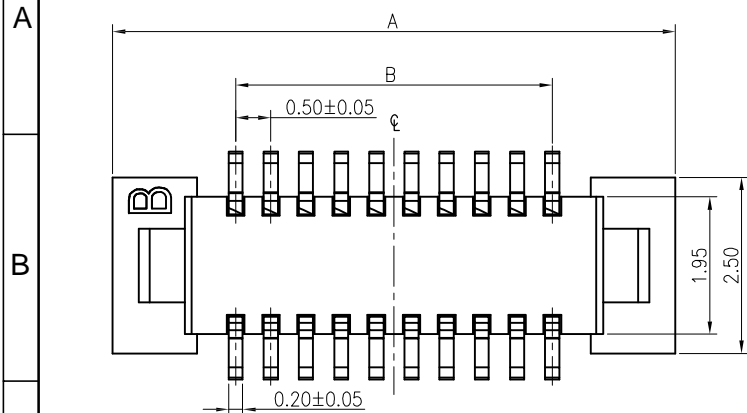
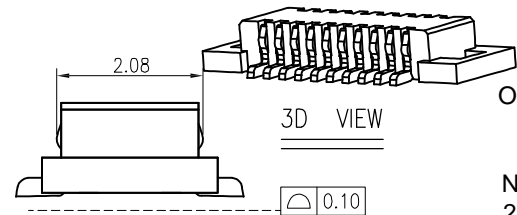


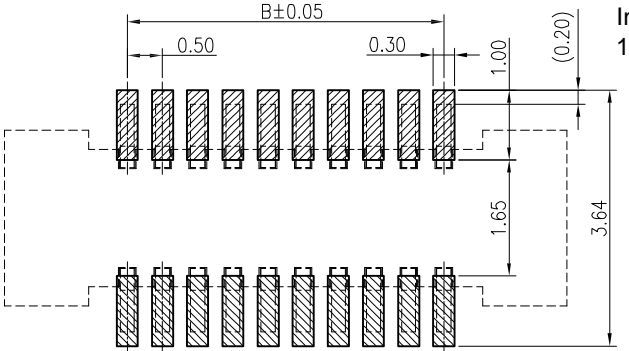
RoHS
COMPLIANT



MATING HEIGHT



3D VIEW



Recommended P.C.B. Layout
Total tolerance:±0.05mm

SPECIFICATIONS

1. Current rating: 0.5A AC, DC
2. Voltage rating: 50V AC,DC
3. Temperature range: -40°C ~ +105°C
4. Insulation resistance: 500MΩ/ min.
5. Withstanding voltage: 200V AC/ minute.
6. Contact resistance: 40mΩ/ max.

Material:

Insulator: LCP UL 94V-0
Contact: Phosphor bronze
Plating: Gold flash over nickel
Mate with KR0500 series plug

Ordering Code:

C0500VS *** 01 G0102RB

No. of Circuits
205:2x5,250:2x50

Insulator Material
13:LCP Natural

MATING HEIGHT	PLUG (H.)	SOCKET (H.)	H1	H2
1.5	1.28	1.5	0.9	1.4
2.0		2.0	1.4	1.9
2.5		2.5	1.9	2.4
NO. of contacts	Dimensions			
	A.	B.	C.	D.
2*5	5.50	2.00	3.45	4.96
2*6	6.00	2.50	3.95	5.46
2*7	6.50	3.00	4.45	5.96
2*8	7.00	3.50	4.95	6.46
2*9	7.50	4.00	5.45	6.96
2*10	8.00	4.50	5.95	7.46
2*11	8.50	5.00	6.45	7.96
2*12	9.00	5.50	6.95	8.46
2*13	9.50	6.00	7.45	8.96
2*14	10.00	6.50	7.95	9.46
2*15	10.50	7.00	8.45	9.96
2*16	11.00	7.50	8.95	10.46
2*18	12.00	8.50	9.95	11.46
2*20	13.00	9.50	10.95	12.46
2*25	15.50	12.00	13.45	14.96
2*50	28.00	24.50	25.95	27.46

MARK	REVISION DESCRIPTION	SIGNATURE	DATE
A4			
A3			
A2			

TOLERANCE	TITLE:
X. X ±0.30	0.5 BTB Plug
X. XX ±0.20	
X. XXX ±0.10	
Angle ±2°	

DRAWN: Arvin 2020.03.05
CHECKED:
APPROVED:
SHEET: 1/1 PROJECTION

KONNRA 东莞市康瑞电子有限公司	
DongGuan Konnra Electronics Co., Ltd.	
PART NO. : C0500VS***13G0102RB	
REV. : A1	DRAWING NO. : 0500WMS201-B-S