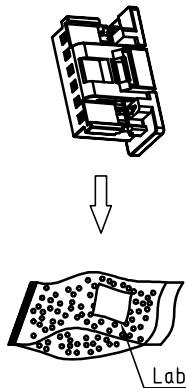
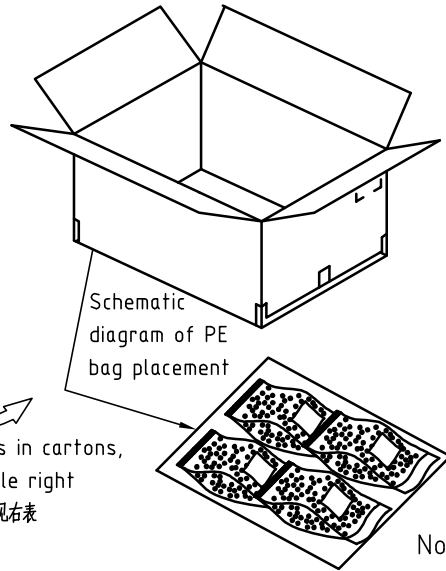


RoHS
COMPLIANT

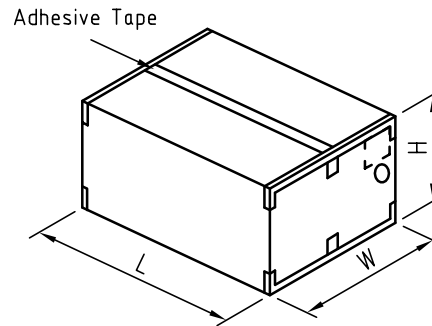
Step 1: Place Housing into PE bag and seal PE bag. Label.
将 Housing放入PE袋内, 并将PE袋封好, 贴上标签。



Step 2: Put PE bag packed products in cartons,
Packing detail see the table right
将装好产品的PE袋放入纸箱内, 详细包装见右表



Step 3: Put PE bag packed products in cartons,
Packing detail see the table right
将装好产品的PE袋放入纸箱内, 详细包装见右表



Circuits	PCS/Bag
2	1000
3	1000
4	1000
5	1000
6	1000
7	1000
8	1000
9	1000
10	1000
11	1000
12	1000

Note注解:

1. There shall be no dirt such as deformation phenomenon, Mantissa box fillers must be used
每箱不可有脏污, 变形现象, 尾数箱必须用填充物
2. Confirm whether the inner and outer labels are missing and the content must be consistent with the actual product
确认内外标签有无漏失, 内容与实物必须一致
3. Packing quantity per carton depends on order and delivery quantity
每箱包装数量依订单及交货数量而定

	SPEC.	Remark
Carton 1	L460mm×W460mm×H510mm	Use the appropriate carton size according to the actual order quantity 根据实际订单数量使用合适的纸箱尺寸
Carton 2	L500mm×W500mm×H305mm	
Carton 3	L580mm×W580mm×H320mm	



MARK

1 2 3 4 5 6 7 8 9

TOLERANCE
X. X ±0.30
X. XX ±0.20
X. XXX ±0.10
Angle ±2°

TITLE:
MX2.0 Inner buckle
Housing Packing
UNIT: mm SCALE: N/A

DRAWN: Arvin 2020.03.05
CHECKED:
APPROVED:
SHEET: 1/1 PROJECTION

KONNRA 东莞市康瑞电子有限公司
DongGuan Konnra Electronics Co., Ltd.
PART NO.: H201701xx2401A
REV.: A1 DRAWING NO.: 2017H101-A-P

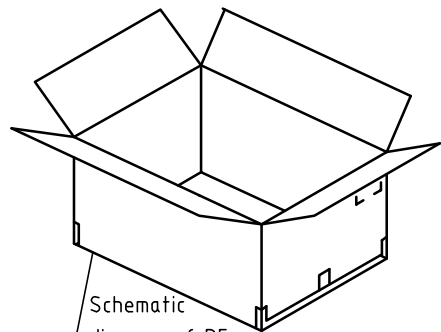
RoHS
COMPLIANT

Step 1: Place Housing into PE bag and seal PE bag. Label.
将 Housing放入PE袋内, 并将PE袋封好, 贴上标签。

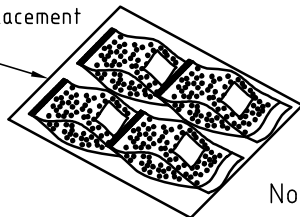


Label

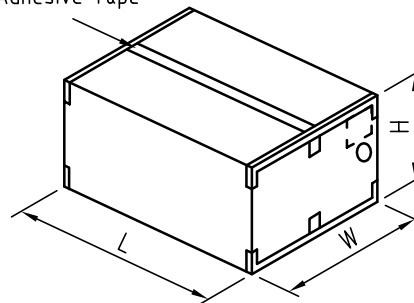
Step 2: Put PE bag packed products in cartons,
Packing detail see the table right
将装好产品的PE袋放入纸箱内, 详细包装见右表



Schematic diagram of PE bag placement



Adhesive Tape



Circuits	PCS/Bag
2	5000
3	5000
4	5000
5	5000
6	5000
7	5000
8	5000
9	5000
10	5000
11	5000
12	5000

Note注解:

1. There shall be no dirt such as deformation phenomenon, Mantissa box fillers must be used
每箱不可有脏污, 变形现象, 尾数箱必须用填充物
2. Confirm whether the inner and outer labels are missing and the content must be consistent with the actual product
确认内外标签有无漏失, 内容与实物必须一致
3. Packing quantity per carton depends on order and delivery quantity
每箱包装数量依订单及交货数量而定

	SPEC.	Remark
Carton 1	L460mm×W460mm×H510mm	Use the appropriate carton size according to the actual order quantity 根据实际订单数量使用合适的纸箱尺寸
Carton 2	L500mm×W500mm×H305mm	
Carton 3	L580mm×W580mm×H320mm	



MARK

1

2

3

4

5

6

7

8

9

TOLERANCE
X. X ±0.30
X. XX ±0.20
X. XXX ±0.10
Angle ±2°

TITLE:
MX2.0 Inner buckle
LOCK Packing

DRAWN: Arvin 2020.03.05

CHECKED:

APPROVED:

UNIT: mm

SCALE: N/A

SHEET: 1/1

PROJECTION

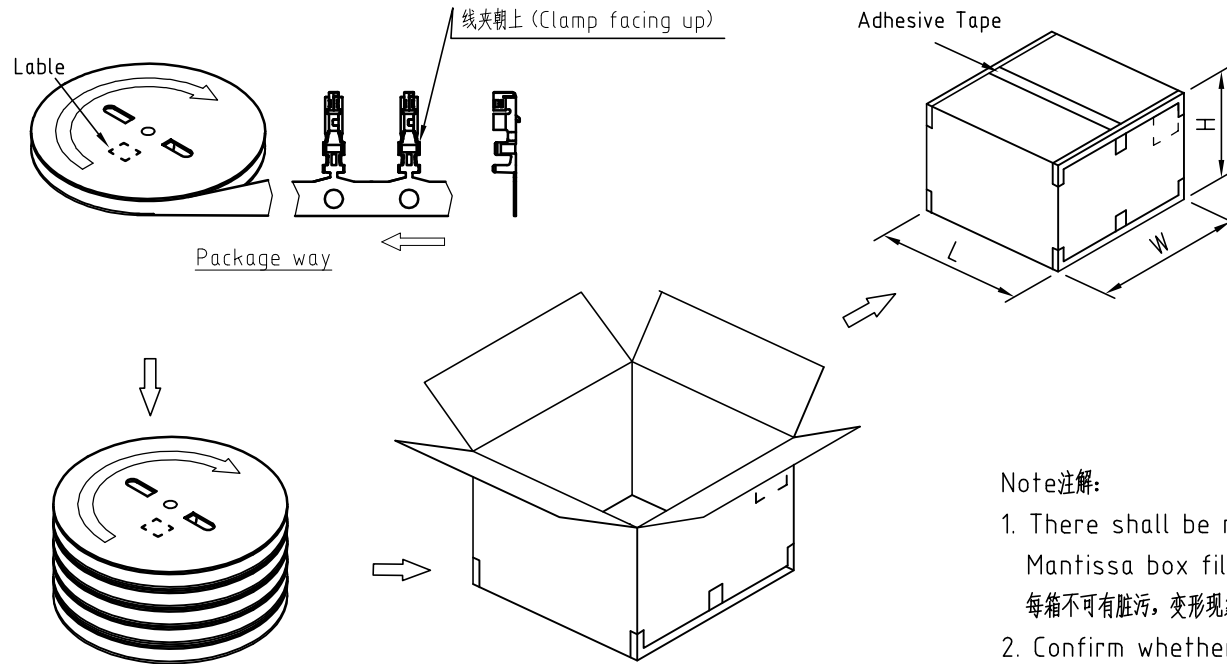
KONNRA 东莞市康瑞电子有限公司
DongGuan Konnra Electronics Co., Ltd.

PART NO.: H201701xx0511A

REV.: A1

DRAWING NO.: 2017H111-A-P

RoHS
COMPLIANT

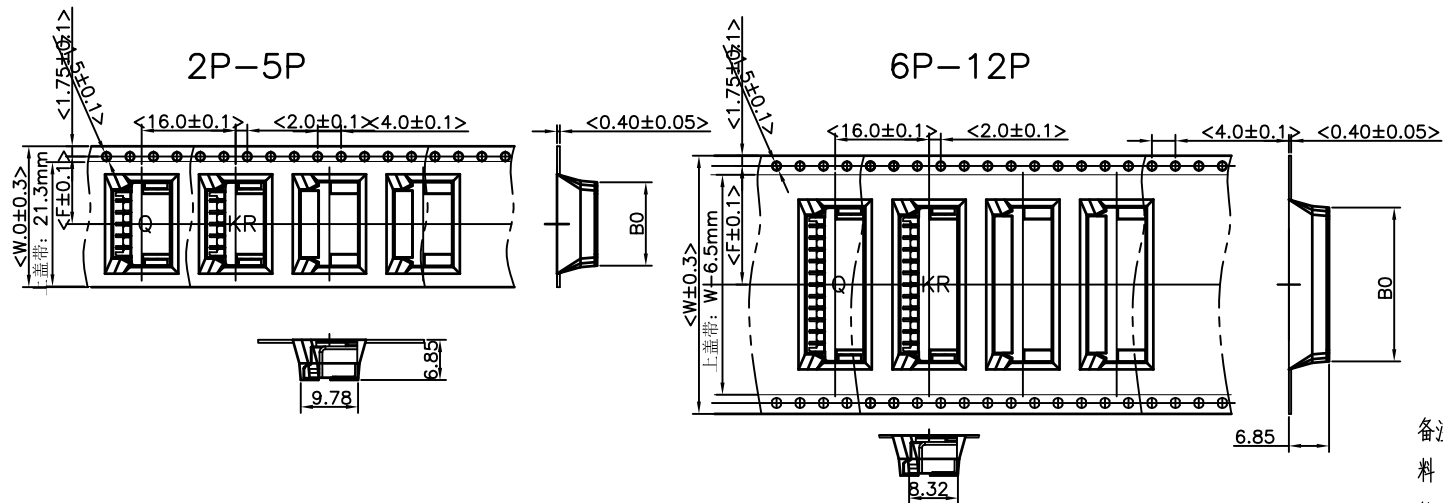


- Note注解:
1. There shall be no dirt such as deformation phenomenon, Mantissa box fillers must be used
每箱不可有脏污，变形现象，尾数箱必须用填充物
 2. Confirm whether the inner and outer labels are missing and the content must be consistent with the actual product
确认内外标签有无漏失，内容与实物必须一致
 3. Quantity(数量): 10K PCS/REEL (10K PCS/盘)
Packing quantity per carton depends on order and delivery quantity
每箱包装数量依订单及交货数量而定

	SPEC.	Remark
Carton 1	L460mm×W460mm×H510mm	Use the appropriate carton size according to the actual order quantity 根据实际订单数量使用合适的纸箱尺寸
Carton 2	L500mm×W500mm×H305mm	
Carton 3	L580mm×W580mm×H320mm	

MARK	REVISION	DESCRIPTION	SIGNATURE	DATE	TOLERANCE	TITLE:	DRAWN:	KONNRA 东莞市康瑞电子有限公司 DongGuan Konnra Electronics Co., Ltd.			
A4					X. X ±0.30	MK2.0 Inner buckle Terminal Packing	Arvin 2020.03.05	PART NO. : T2017OPT0101A			
A3				X. XX ±0.20	CHECKED:			REV. : A1 DRAWING NO. : 2017T101-A-P			
A2				X. XXX ±0.10	APPROVED:						
				Angle ±2°	UNIT: mm	SCALE: N/A	SHEET: 1/1	PROJECTION			

RoHS
COMPLIANT



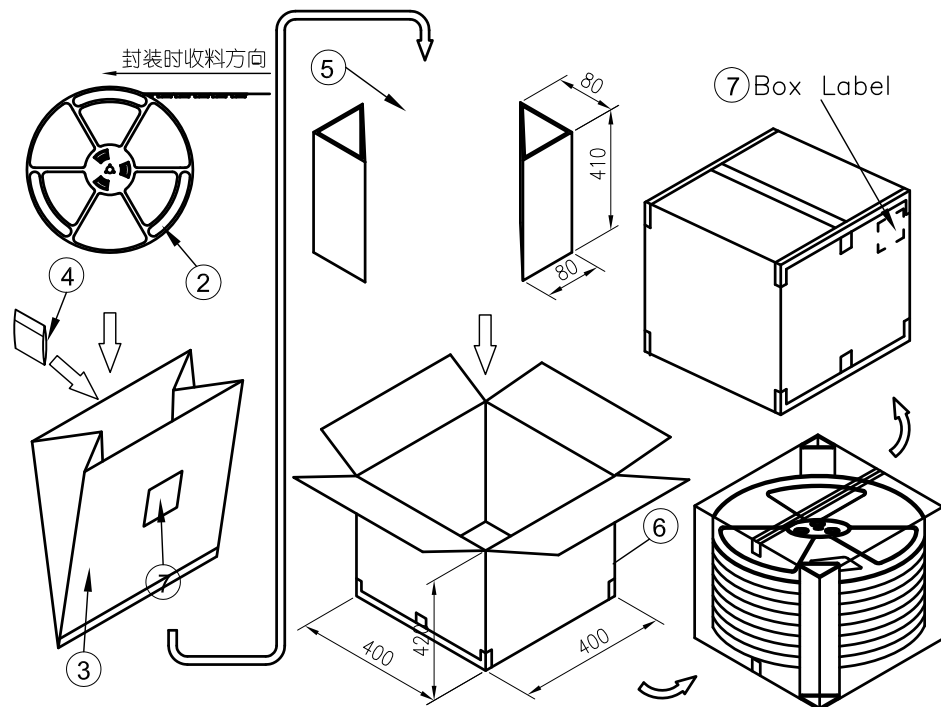
备注:

料 厚:透明PS 0.40±0.05

轮盘规格:15`×WMM塑胶轮盘

载带规格:WMM×13.44M,配带宽××MM冷封盖带

包装数:800PCS/卷



NO.	NAME	SPEC.	Q'TY
①	PRODUCT	MX2.0内扣 SMT 90°WF系列	参照下表(特殊除外)
②	卷盘/载带	--	1SET
③	透明真空袋	550×500×0.10mm	1PCS/Reel
④	干燥剂	--	1PCS/Reel
⑤	三角纸板	410×80×80mm	2PCS
⑥	纸箱	400×400×420mm	1PCS
⑦	标签	--	2PCS

Pin数	W±0.3	F±0.2	B0±0.2	Q'ty/BOX
2P~5P	24	11.5	8.25~14.25	14*800
6P~7P	32	14.2	16.25~18.25	11*800
8P~12P	44	20.2	20.25~30.25	8*800



MARK

1

2

3

4

5

6

7

8

9

TOLERANCE

X.X ±0.30

X.XX ±0.20

X.XXX ±0.10

Angle ±2°

TITLE:

C2017-RS 系列

卷装包装规范

DRAWN: Arwin 2021.03.05

CHECKED:

APPROVED:

UNIT:mm

SCALE:N/A

SHEET:1/1

PROJECTION

KONNRA 东莞市康瑞电子有限公司

DongGuan Konnra Electronics Co.,Ltd.

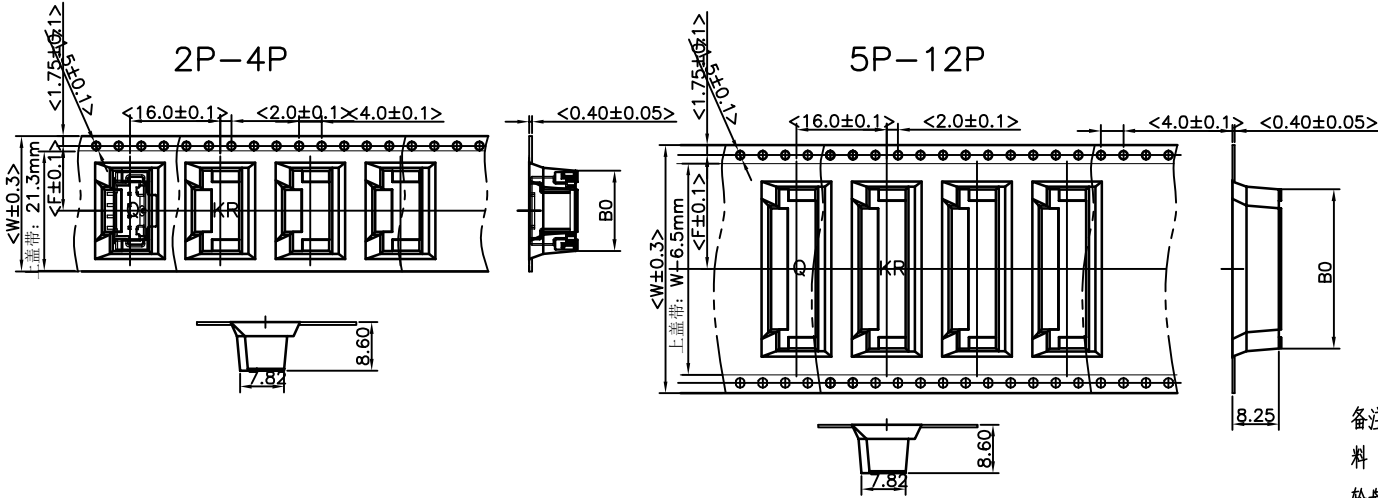
PART NO.:C2017RS1**11M01010A

REV.:A1 DRAWING NO.:2017WRS101-A-P

RoHS
COMPLIANT

2P-4P

5P-12P



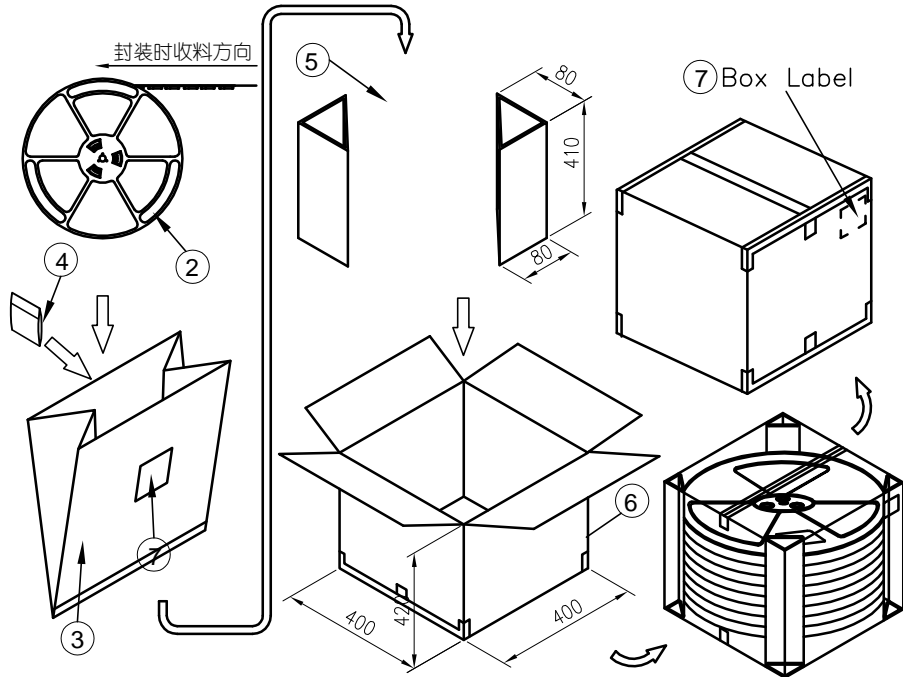
备注:

料 厚:透明PS 0.40±0.05

轮盘规格:15`×WMM塑胶轮盘

载带规格:WMM×11.7M,配带宽××MM冷封盖带

包装数:700PCS/卷



Pin数	W±0.3	F±0.2	B0±0.2	Q'ty/BOX
2P~4P	24	11.5	10.25~14.25	14*700
5P~6P	32	14.2	16.25~18.25	11*700
7P~12P	44	20.2	20.25~32.25	8*700



MARK

1

2

3

4

5

6

7

8

9

TOLERANCE

X. X ±0.30

X. XX ±0.20

X. XXX ±0.10

Angle ±2°

TITLE:

C2017-VS 系列

卷装包装规范

DRAWN: Arvin 2021.03.05

CHECKED:

APPROVED:

KONNRA 东莞市康瑞电子有限公司

DongGuan Konnra Electronics Co., Ltd.

PART NO.: C2017VS1**11MD1010A

REV.: A2 DRAWING NO.: 2017WS101-A-P

UNIT: mm SCALE: N/A

SHEET: 1/1

PROJECTION

REV.: A2

DRAWING NO.: 2017WS101-A-P