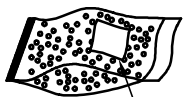
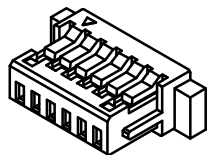


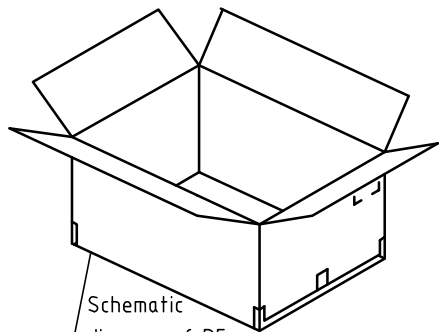
RoHS
COMPLIANT

Step 1: Place Housing into PE bag and seal PE bag. Label.
将 Housing放入PE袋内, 并将PE袋封好, 贴上标签。

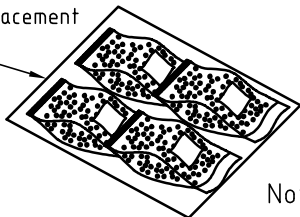


Label

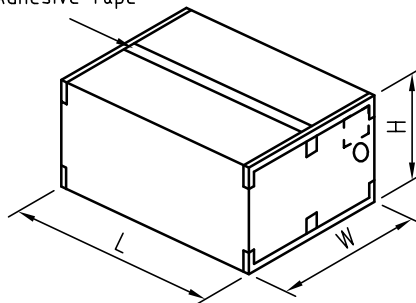
Step 2: Put PE bag packed products in cartons,
Packing detail see the table right
将装好产品的PE袋放入纸箱内, 详细包装见右表



Schematic diagram of PE bag placement



Adhesive Tape



Step 3: Put PE bag packed products in cartons,
Packing detail see the table right
将装好产品的PE袋放入纸箱内, 详细包装见右表

Circuits	PCS/Bag
2	1000
3	1000
4	1000
5	1000
6	1000
7	1000
8	1000
9	1000
10	1000
11	1000
12	1000
13	1000
14	1000
15	1000
16	1000
17	1000
18	1000
19	1000
20	1000

Note注解:

1. There shall be no dirt such as deformation phenomenon, Mantissa box fillers must be used
每箱不可有脏污, 变形现象, 尾数箱必须用填充物
2. Confirm whether the inner and outer labels are missing and the content must be consistent with the actual product
确认内外标签有无漏失, 内容与实物必须一致
3. Packing quantity per carton depends on order and delivery quantity
每箱包装数量依订单及交货数量而定

	SPEC.	Remark
Carton 1	L460mm×W460mm×H510mm	Use the appropriate carton size according to the actual order quantity 根据实际订单数量使用合适的纸箱尺寸
Carton 2	L500mm×W500mm×H305mm	
Carton 3	L580mm×W580mm×H320mm	



MARK

1

2

3

4

5

6

7

8

9

TOLERANCE

X. X ±0.30

X. XX ±0.20

X. XXX ±0.10

Angle ±2°

TITLE:
SH1.0 Housing Have
Ear Package
specification

UNIT: mm

SCALE: N/A

DRAWN: Arvin 2020.03.05

CHECKED:

APPROVED:

SHEET: 1/1

PROJECTION

KONNRA 东莞市康瑞电子有限公司
DongGuan Konnra Electronics Co., Ltd.

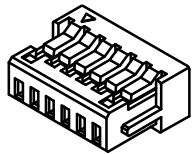
PART NO. : H10000*****01A

REV. : A1

DRAWING NO. : 1000H101-A-P

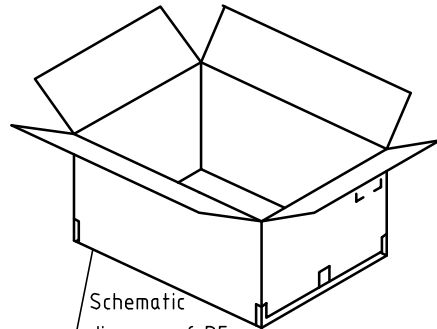
RoHS
COMPLIANT

Step 1: Place Housing into PE bag and seal PE bag. Label.
将 Housing放入PE袋内, 并将PE袋封好, 贴上标签。

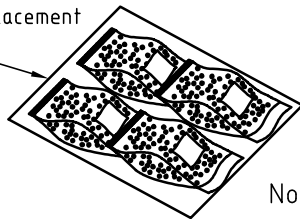


Label

Step 2: Put PE bag packed products in cartons,
Packing detail see the table right
将装好产品的PE袋放入纸箱内, 详细包装见右表

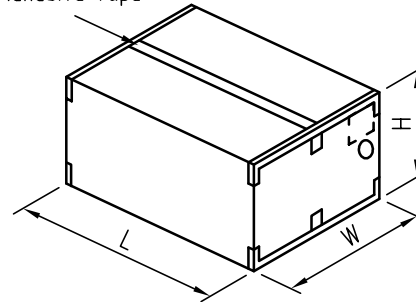


Schematic diagram of PE bag placement



Step 3: Put PE bag packed products in cartons,
Packing detail see the table right
将装好产品的PE袋放入纸箱内, 详细包装见右表

Adhesive Tape



Circuits	PCS/Bag
2	1000
3	1000
4	1000
5	1000
6	1000
7	1000
8	1000
9	1000
10	1000
11	1000
12	1000
13	1000
14	1000
15	1000
16	1000
17	1000
18	1000
19	1000
20	1000

Note注解:

1. There shall be no dirt such as deformation phenomenon, Mantissa box fillers must be used
每箱不可有脏污, 变形现象, 尾数箱必须用填充物
2. Confirm whether the inner and outer labels are missing and the content must be consistent with the actual product
确认内外标签有无漏失, 内容与实物必须一致
3. Packing quantity per carton depends on order and delivery quantity
每箱包装数量依订单及交货数量而定

	SPEC.	Remark
Carton 1	L370mm×W250mm×H200mm	Use the appropriate carton size according to the actual order quantity 根据实际订单数量使用合适的纸箱尺寸
Carton 2	L460mm×W460mm×H510mm	
Carton 3	L500mm×W500mm×H305mm	
Carton 4	L500mm×W500mm×H305mm	
Carton 5	L580mm×W580mm×H320mm	



MARK

1

2

3

4

5

6

7

8

9

TOLERANCE

X. X ±0.30

X. XX ±0.20

X. XXX ±0.10

Angle ±2°

TITLE:
SH1.0 Housing No
Ear Package
specification

UNIT: mm

SCALE: N/A

DRAWN: Arvin 2020.03.05

CHECKED:

APPROVED:

SHEET: 1/1

PROJECTION

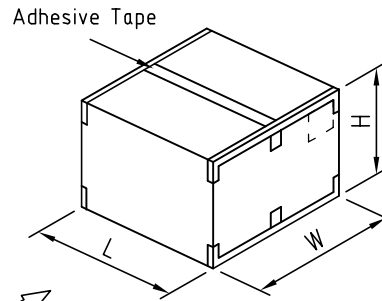
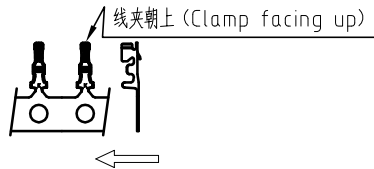
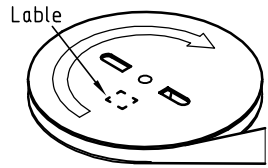
KONNRA 东莞市康瑞电子有限公司
DongGuan Konnra Electronics Co., Ltd.

PART NO. : H10000*****02A

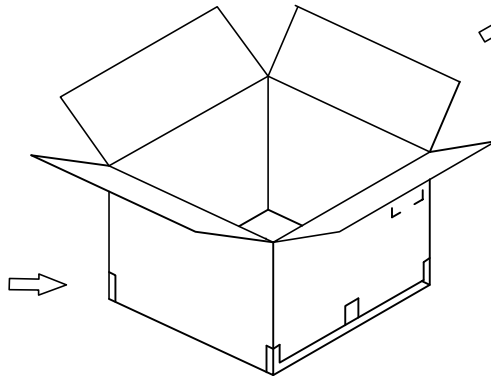
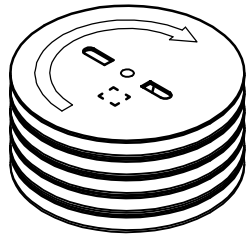
REV. : A1

DRAWING NO. : 1000H102-A-P

RoHS
COMPLIANT



Package way



Note注解:

1. There shall be no dirt such as deformation phenomenon, Mantissa box fillers must be used
每箱不可有脏污，变形现象，尾数箱必须用填充物
2. Confirm whether the inner and outer labels are missing and the content must be consistent with the actual product
确认内外标签有无漏失，内容与实物必须一致
3. Quantity(数量): 20K PCS/REEL (20K PCS/盘)
Packing quantity per carton depends on order and delivery quantity
每箱包装数量依订单及交货数量而定

	SPEC.	Remark
Carton 1	L460mm×W460mm×H510mm	Use the appropriate carton size according to the actual order quantity 根据实际订单数量使用合适的纸箱尺寸
Carton 2	L500mm×W500mm×H305mm	
Carton 3	L580mm×W580mm×H320mm	



MARK

1

2

3

4

5

6

7

8

9

TOLERANCE

X. X ±0.30

X. XX ±0.20

X. XXX ±0.10

Angle ±2°

TITLE:
SH1.0 Terminal
Package
Specification

UNIT: mm SCALE: N/A

DRAWN: Arvin 2020.03.05

CHECKED:

APPROVED:

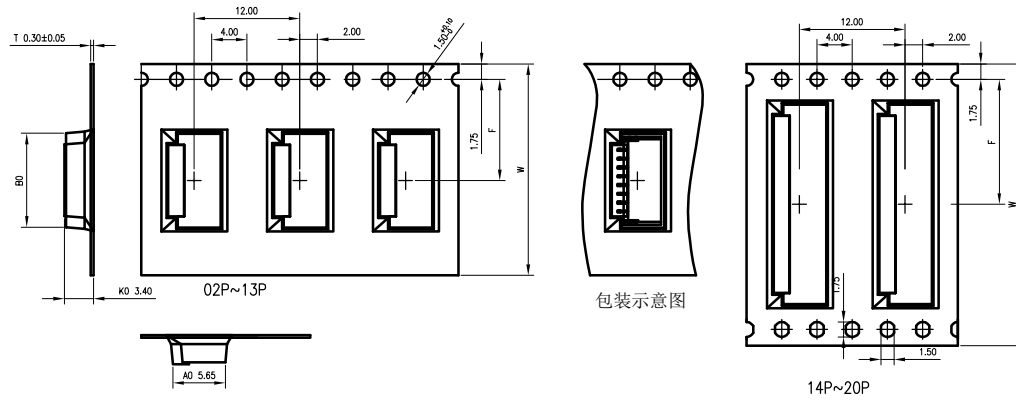
SHEET: 1/1 PROJECTION

KONNRA 东莞市康瑞电子有限公司
DongGuan Konnra Electronics Co., Ltd.

PART NO. : T10000P***01A

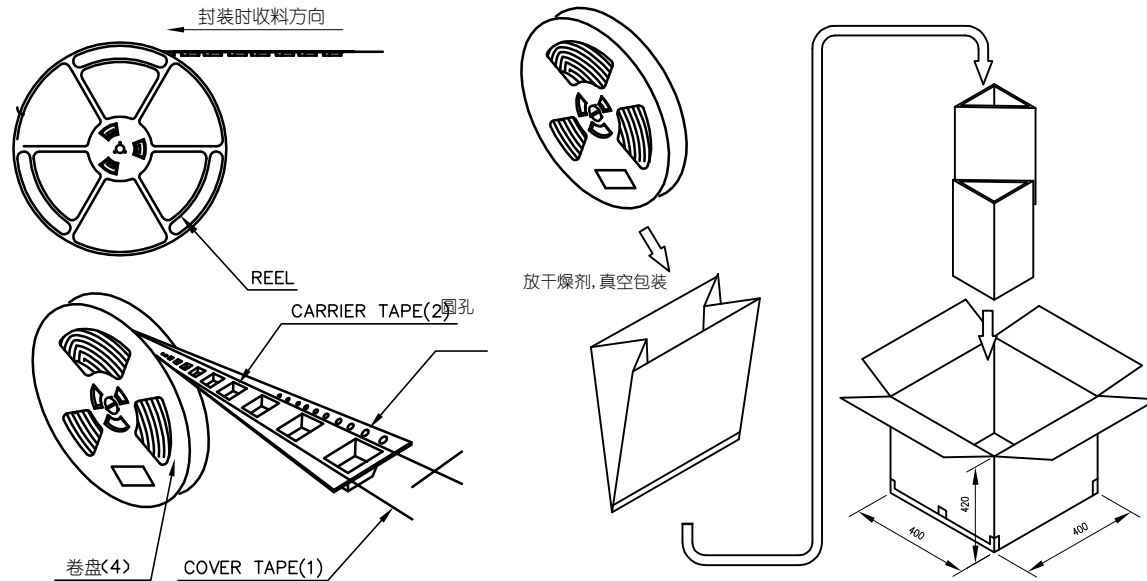
REV. : A1 DRAWING NO. : 1000T101-A-P

RoHS
COMPLIANT



- NOTES:
 1. All dimensions meet EIA-481-D requirements.
 2. Material: White PS
 3. Carrier camer not to exceed 1mm in 250mm.
 4. A.Length: 24.5m (255 模)
 5.Reel: 15" 胶盘

CKT.	DIMENSIONS			Q'ty/BOX
	W±0.3	B0±0.3	F±0.3	
2P	16.0	4.40	5.50	19*2000
3P	16.0	5.40	5.50	19*2000
4P	16.0	6.40	5.50	19*2000
5P	16.0	7.40	5.50	19*2000
6P	16.0	8.40	11.50	19*2000
7P	24.0	9.40	11.50	14*2000
8P	24.0	10.40	11.50	14*2000
9P	24.0	11.40	11.50	14*2000
10P	24.0	12.40	11.50	14*2000
11P	24.0	13.40	11.50	14*2000
12P	24.0	14.40	11.50	14*2000
13P	24.0	15.40	11.50	14*2000
14P	32.0	16.40	14.20	11*2000
15P	32.0	17.40	14.20	11*2000
16P	32.0	18.40	14.20	11*2000
17P	32.0	19.40	14.20	11*2000
18P	32.0	20.40	14.20	11*2000
19P	32.0	21.40	14.20	11*2000
20P	44.0	22.40	20.20	8*2000

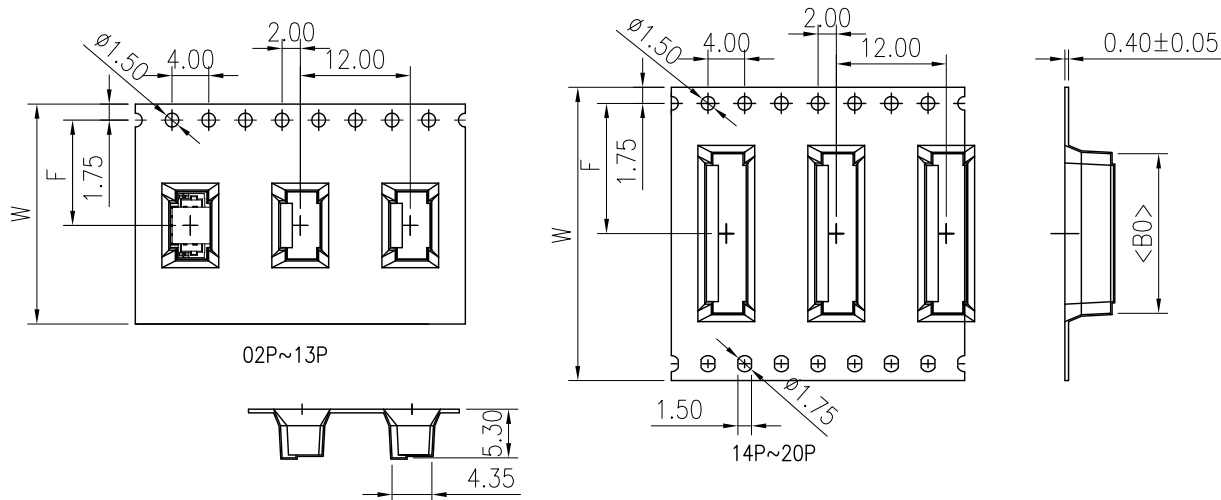


NO.	NAME	SPEC.	Q'TY
①	PRODUCT	SH1.0 SMT 90°WF 系列	2000 PCS/R
②	卷盘/载带	--	1SET
③	透明真空袋	550x500x0.10mm	1PCS/Reel
④	干燥剂	--	1PCS/Reel
⑤	三角纸板	410x80x80mm	适量
⑥	纸箱	400x400x420mm	适量
⑦	标签	--	适量

F	△4				TOLERANCE	TITLE:	DRAWN:	KONNRA 东莞市康瑞电子有限公司 DongGuan Konnra Electronics Co., Ltd.			
	△3				X. X ±0.30	SH1.0 SMT 90° Wafer	CHECKED:				
	△2	更改料号及图框格式	Arvin	2020.01.17	X. XX ±0.20	系列卷带包装图	APPROVED:	PART NO. : C1000RS*****T0101RA			
	MARK	REVISION DESCRIPTION	SIGNATURE	DATE	X. XXX ±0.10	Angle ±2°	UNIT: mm	SCALE: N/A	SHEET: 1/1	PROJECTION	VER. : A2

1 2 3 4 5 6 7 8 9

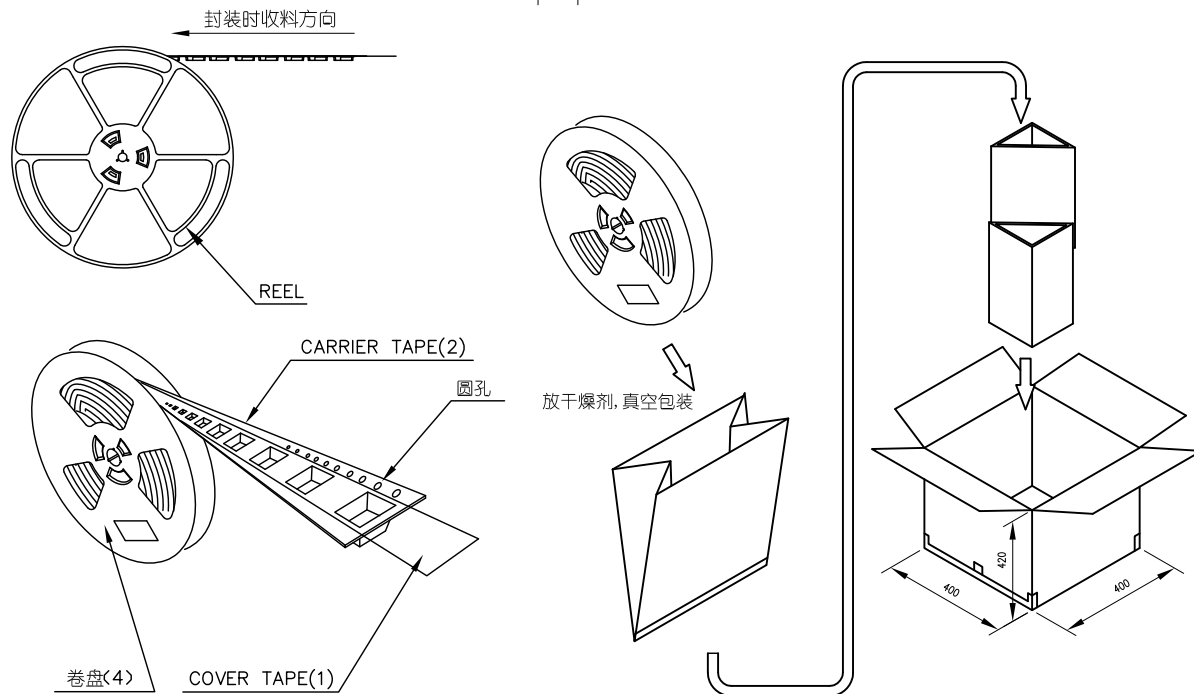
RoHS
COMPLIANT



- NOTES:
 1. All dimensions meet EIA-481-D requirements.
 2. Material: White PS
 3. Carrier carrier not to exceed 1mm in 250mm.
 4. Length: 18.5m (193模)
 5. Reel: 15" 胶盘

CKT.	DIMENSIONS			Q'ty/BOX
	W±0.3	B0±0.3	F±0.3	
2P	16.0	4.40	5.50	19*1500
3P	16.0	5.40	5.50	19*1500
4P	16.0	6.40	5.50	19*1500
5P	16.0	7.40	5.50	19*1500
6P	24.0	8.40	11.50	14*1500
7P	24.0	9.40	11.50	14*1500
8P	24.0	10.40	11.50	14*1500
9P	24.0	11.40	11.50	14*1500
10P	24.0	12.40	11.50	14*1500
11P	24.0	13.40	11.50	14*1500
12P	24.0	14.40	11.50	14*1500
13P	24.0	15.40	11.50	14*1500
14P	32.0	16.40	14.20	11*1500
15P	32.0	17.40	14.20	11*1500
16P	32.0	18.40	14.20	11*1500
17P	32.0	19.40	14.20	11*1500
18P	32.0	20.40	14.20	11*1500
19P	32.0	21.40	14.20	11*1500
20P	44.0	22.40	20.20	8*1500

NO.	NAME	SPEC.	Q'TY
①	PRODUCT	SH1.0 SMT 180°WF 系列	1500 PCS/R
②	卷盘/载带	--	1SET
③	透明真空袋	550×500×0.10mm	1PCS/Reel
④	干燥剂	--	1PCS/Reel
⑤	三角纸板	410×80×80mm	适量
⑥	纸箱	400×400×420mm	适量
⑦	标签	--	适量



F	A4			TOLERANCE	TITLE:	DRAWN: Arvin 2020.01.17	KONNRA 东莞市康瑞电子有限公司 DongGuan Konnra Electronics Co.,Ltd. PART NO.: C1000VS*****T0101RA			
	A3			X.X ±0.30	SH1.0 SMT 180°	CHECKED:				
	A2	更改料号及图框格式	Arvin	2020.01.17	X.XX ±0.20	Wafer 系列卷带包装图				APPROVED:
MARK	REVISION DESCRIPTION	SIGNATURE	DATE	X.XXX ±0.10	UNIT:mm	SCALE:N/A	SHEET:1/1	PROJECTION	VER.:A2	DRAWING NO.:1000WVS01-A-P
	1	2	3	4	5	6	7	8	9	