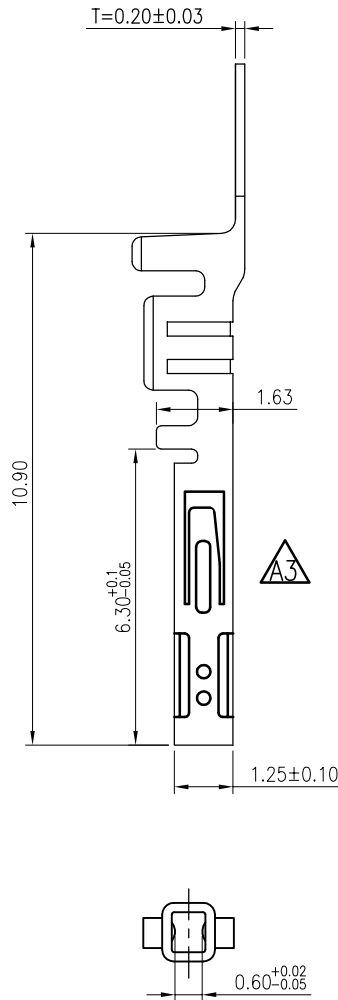
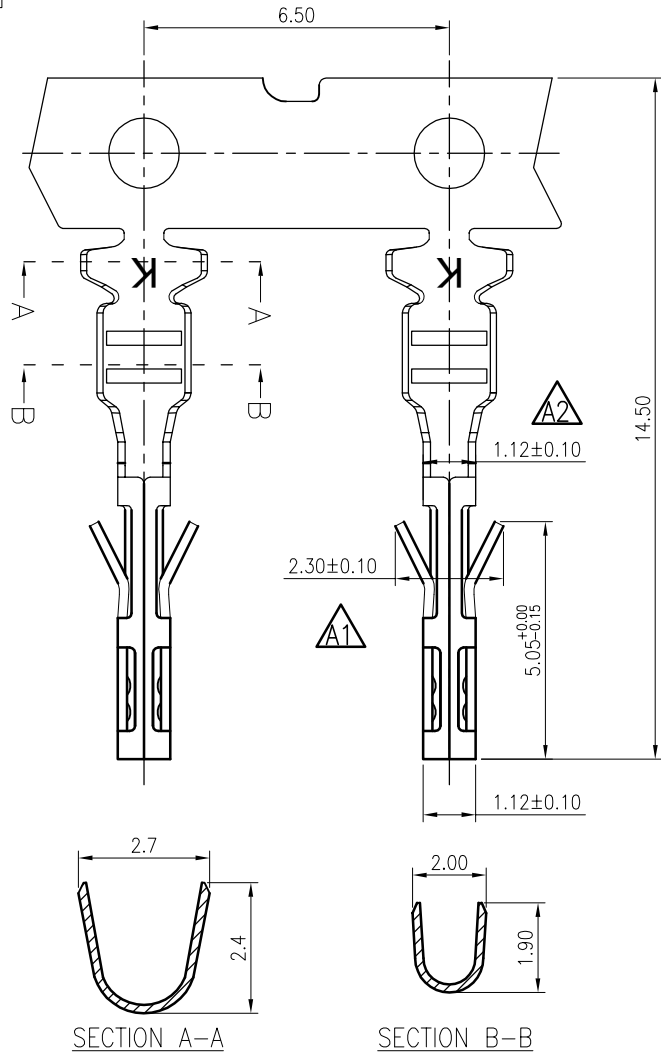


RoHS
COMPLIANT



SPECIFICATIONS

1. Current rating: 5A AC, DC
2. Voltage rating: 250V AC,DC
3. Temperature range: -40°C ~ +105°C
4. Insulation resistance: 1000MΩ Min.
5. Withstanding voltage: 1500V AC/ minute.
6. Contact resistance: 10mΩ Max.

Material: Phosphor Bronze
 Plating: See Tin plated over Nickel
 Applicable wires: AWG #20~#24
 Insulation O.D 1.30~1.80 mm
 Suitable KR3000 series housing
 Qty/reel:10,000PCS

Ordering Code:

△A4 T3000FP B01 01A

- Plating
- T01: Tin plated
 - G03: gold plated 3u"
 - B01: Selective gold fish
 - B02: Selective gold plated 1u"
 - B03: Selective gold plated 3u"
 - B04: Selective gold plated 5u"
 - B07: Selective gold plated 30u"
 - B08: Selective gold plated 2u"

F	△A6				TOLERANCE X.X ±0.30 X.XX ±0.20 X.XXX ±0.10 Angle ±2°	TITLE: MK3.0 Female Terminal W=2.30	DRAWN: ru yi 2020.03.10		KONNRA 东莞市康瑞电子有限公司	
	△A5	Uniformly arrange the drawings	Arvin	2021.09.26			CHECKED:		DongGuan Konnra Electronics Co., Ltd.	
	△A4	Change the part number and frame format	TLX	2021.04.14			APPROVED:		PART NO. : T3000FP***01A	
	MARK	REVISION DESCRIPTION	SIGNATURE	DATE			UNIT: mm	SCALE: N/A	SHEET: 1/1	PROJECTION
	1	2	3	4	5	6	7	8	9	