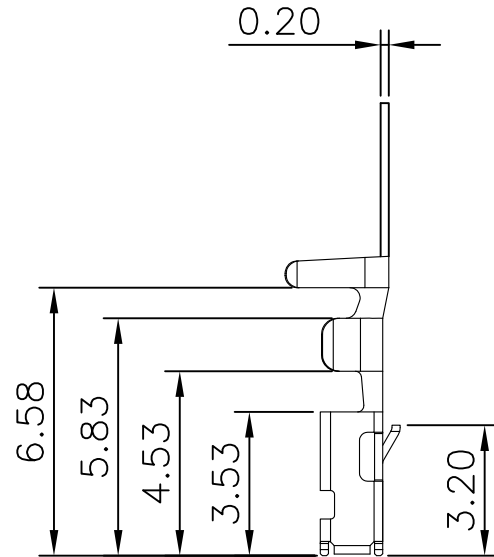
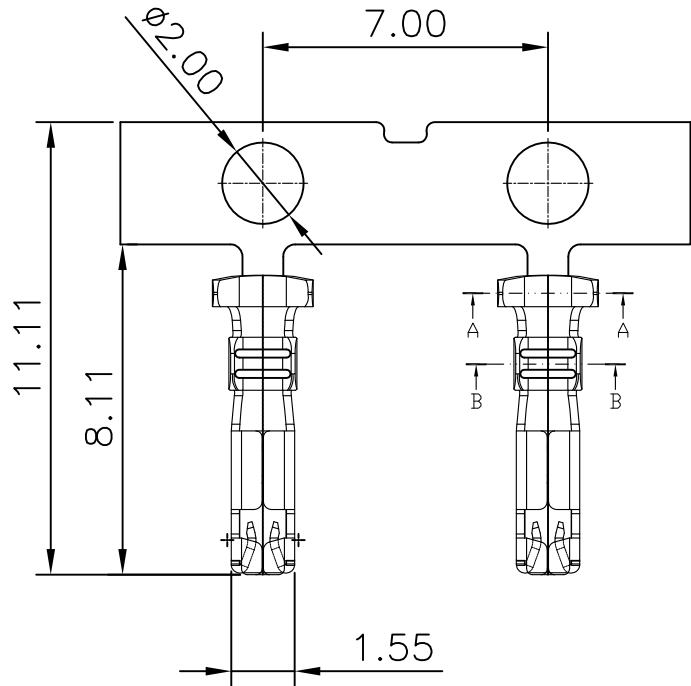
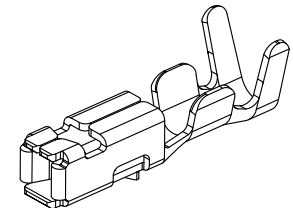
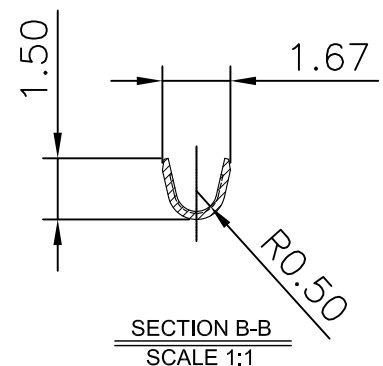
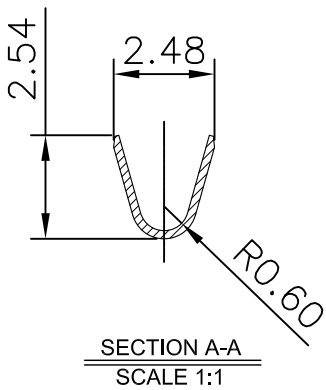
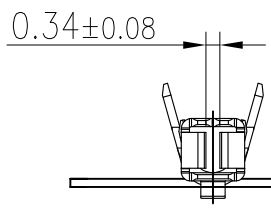


**RoHS**  
COMPLIANT



- SPECIFICATIONS**
1. Current rating: 3A AC, DC(22AWG)
  2. Voltage rating: 250V AC,DC
  3. Temperature range: -40°C ~ +105°C
  4. Insulation resistance: 1000MΩ Min.
  5. Withstanding voltage: 500V AC/ minute.
  6. Contact resistance: 20mΩ Max.

Material: Phosphor Bronze(C5191R)  
 Plating: Tin plated 100u" MIN and over Nickel  
 50u"MIN  
 Applicable wire:  
 AWG #22~#24  
 Insulation O.D.: 1.2 To 1.6mm  
 Suitable KR2022 series housing  
 Q'ty/reel:10,000PCS



			TOLERANCE	TITLE:		DRAWN: <i>XYH</i> 2023.04.03		KONNRA 东莞市康瑞电子有限公司	
			X.X ±0.30	PAL2.0 Terminal		CHECKED:		DongGuan Konnra Electronics Co.,Ltd.	
			X.XX ±0.20			APPROVED:		PART NO.: T20220PT0101A	
			X.XXX ±0.10			SHEET: 1/1		REV.: A1	
			Angle ±2°	UNIT:mm		SCALE: 1/1		DRAWING NO.: 2022TF101-A-S	
△	NEW DWG	XYH	2023.04.03			PROJECTION			
MARK	REVISION DESCRIPTION	SIGNATURE	DATE						