

**RoHS**  
COMPLIANT

**SPECIFICATIONS**

1. Current rating: 3A AC, DC
2. Voltage rating: 125V AC,DC
3. Temperature range: -40°C ~ +125°C
4. Insulation resistance:1000mΩ Min.
5. Withstanding voltage: 500V AC/ minute.
6. Contact resistance: 10mΩ Max.

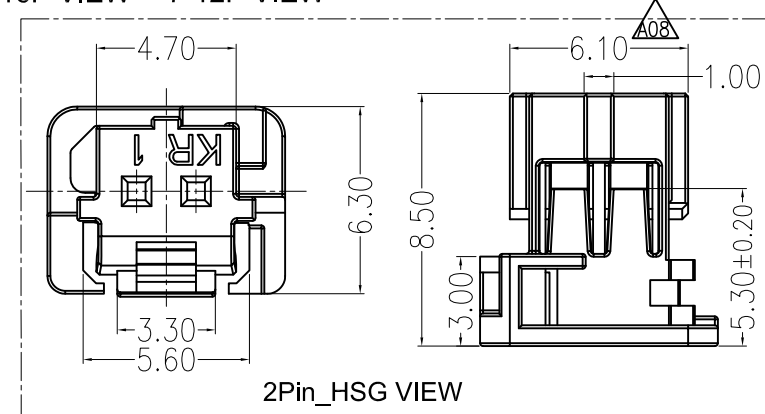
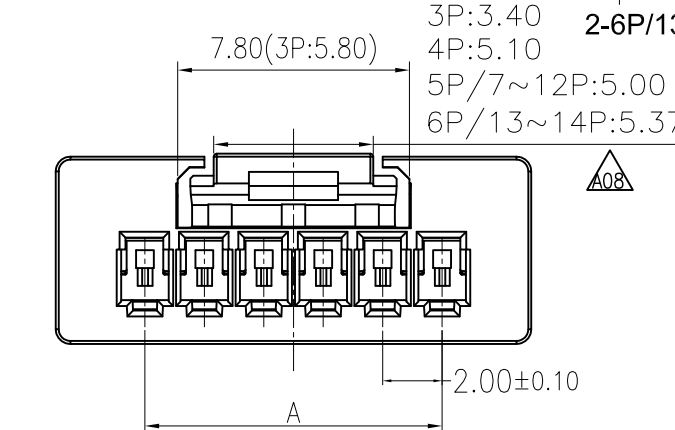
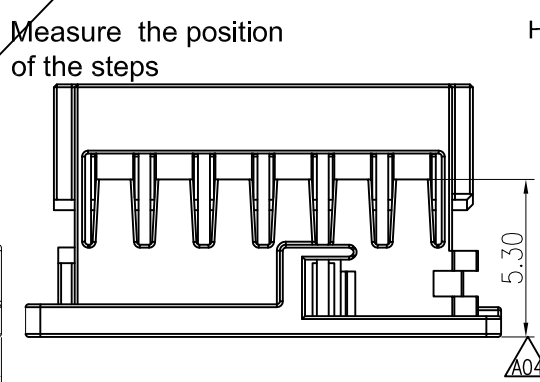
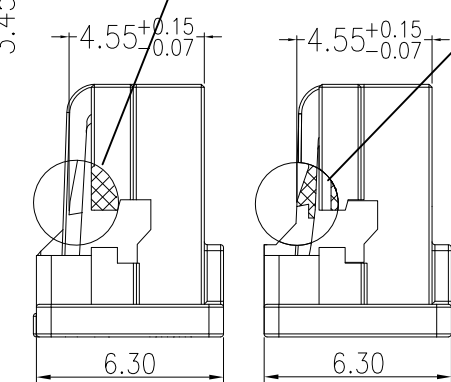
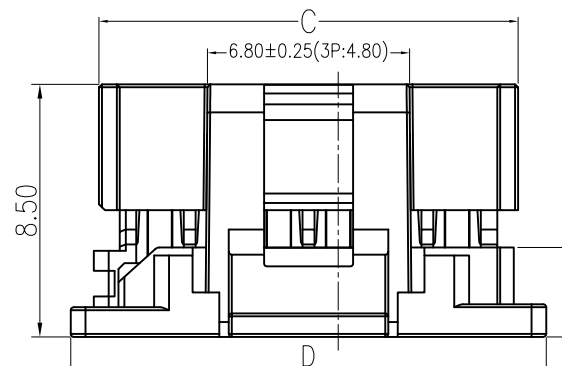
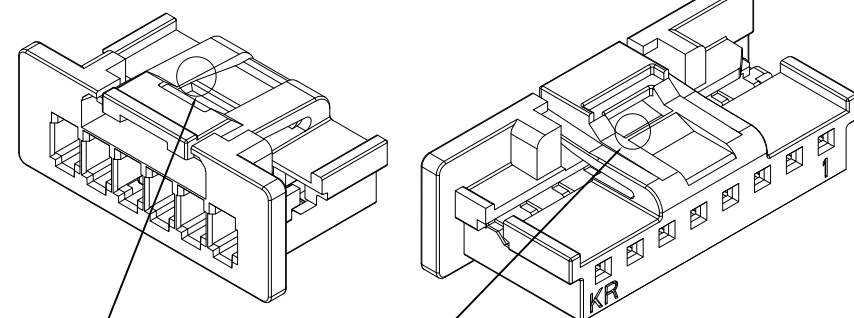
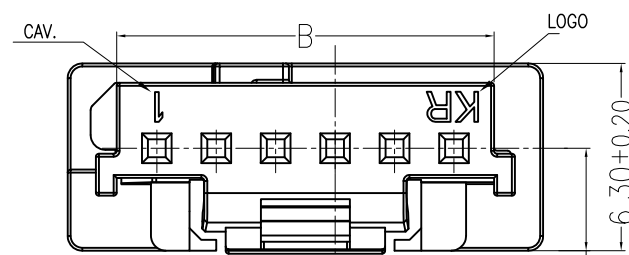
Material:PBT UL94V-0  
Suitable KR2017 Series terminal and lock  
Mate with KR2017 Series wafer

Ordering Code:

H20170 \*\*\* \*\* 01A

05:PBT Black  $\triangle A07$   
24:PBT Natural  
No. of Circuits  
102 : 2 ... 116,16

16 $\triangle A06$	30.00	32.70	34.10	36.00
15 $\triangle A06$	28.00	30.70	32.10	34.00
14	26.00	28.70	30.10	32.00
13	24.00	26.70	28.10	30.00
12	22.00	24.70	26.10	28.00
11	20.00	22.70	24.10	26.00
10	18.00	20.70	22.10	24.00
9	16.00	18.70	20.10	22.00
8	14.00	16.70	18.10	20.00
7	12.00	14.70	16.10	18.00
6	10.00	12.70	14.10	16.00
5	8.00	10.70	12.10	14.00
4	6.00	8.70	10.10	12.00
3	4.00	6.70	8.10	10.00
2		4.70	6.10	8.00
Circuits	A	B	C	D

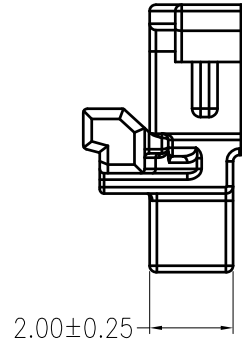
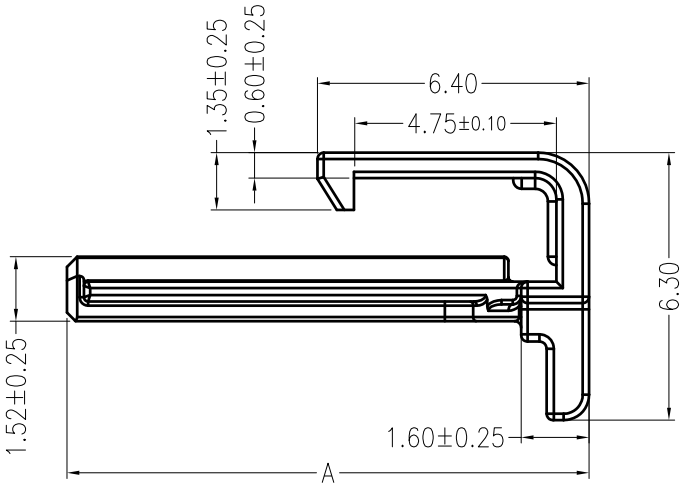


3P:3.40  
4P:5.10  
5P/7~12P:5.00  
6P/13~14P:5.37

Measure the position of the steps

$\triangle A08$	Modify Size	ZSZ	2023.08.08	TOLERANCE	TITLE:	DRAWN: <i>ZSZ</i> 2023.4.19	<b>KONNRA</b> 东莞市康瑞电子有限公司 DongGuan Konnra Electronics Co.,Ltd.
$\triangle A07$	Add specification	ZSZ	2023.06.05	X.X ±0.30	MX2.0 Inner buckle	CHECKED: <i>ZSZ</i> 2023.4.19	
$\triangle A06$	Add 15P,16P	ZZN	2023.04.19	X.XX ±0.20	Housing	APPROVED:	
MARK	REVISION DESCRIPTION	SIGNATURE	DATE	X.XXX ±0.10	UNIT:mm	SHEET:1/1	PART NO.:H20170****01A
				Angle ±2°	SCALE:1/1	PROJECTION	REV.:A08 DRAWING NO.:2017H101-A-S

**RoHS**  
COMPLIANT



**SPECIFICATIONS**

1. Current rating: 3A AC, DC
2. Voltage rating: 125V AC,DC
3. Temperature range: -40°C ~ +125°C
4. Insulation resistance:1000 MΩ Min.
5. Withstanding voltage: 500V AC/ minute.
6. Contact resistance: 10mΩ Max.

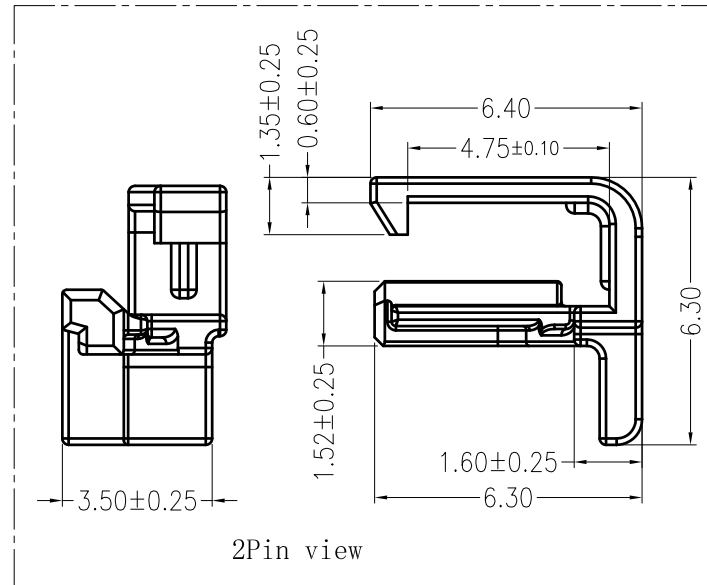
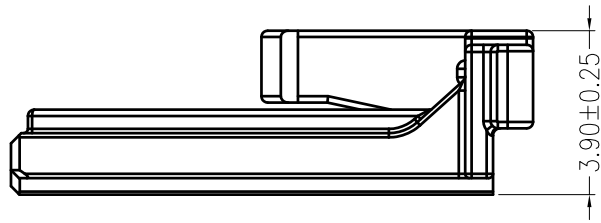
Material:PBT UL94 V-0  
Suitable KR2017 Series housing

Ordering Code:

H20170 xxx xx 11A

102 : 2P  
103 : 3P  
104 : 4P...

Color:  
05 : PBT Black



14	30.30
13	28.30
12	26.30
11	24.30
10	22.30
9	20.30
8	18.30
7	16.30
6	14.30
5	12.30
4	10.30
3	8.30
2	6.30
Circuits	A

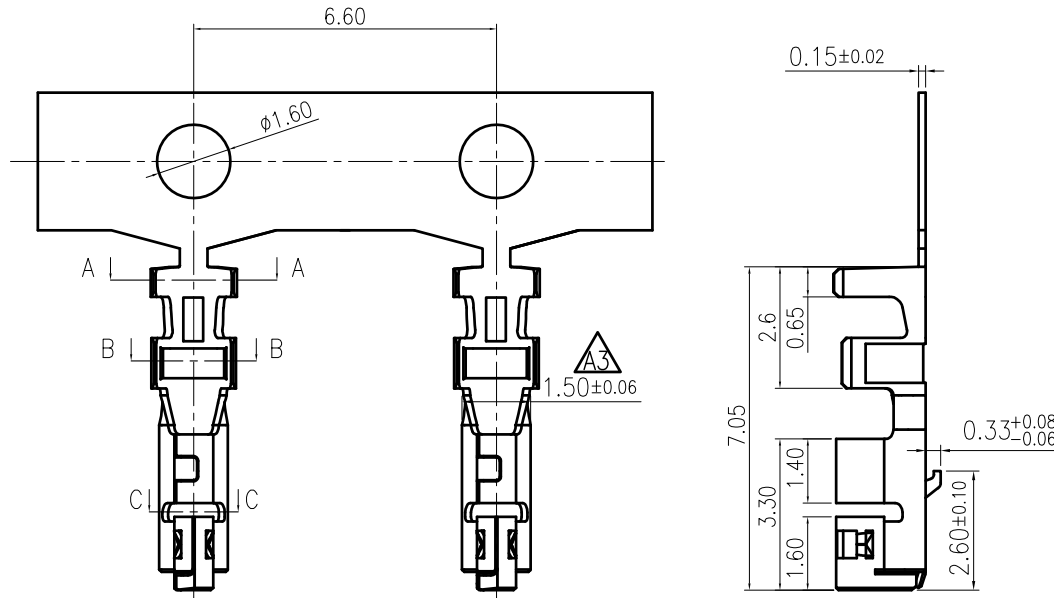
	Add 13&14P spec	Arvin	2022.09.27
	Uniformly arrange the drawings	ZSZ	2021.09.17
MARK	REVISION DESCRIPTION	SIGNATURE	DATE
1	2	3	4

TOLERANCE	TITLE:
X.X ±0.30	MX2.0 Inner buckle
X.XX ±0.20	Housing
X.XXX ±0.10	
Angle ±2°	
UNIT:mm	SCALE:N/A

DRAWN:	Arvin 2020.12.25
CHECKED:	ZSZ 2021.09.17
APPROVED:	
SHEET: 1/1	PROJECTION

<b>KONNRA</b> 东莞市康瑞电子有限公司	
DongGuan Konnra Electronics Co.,Ltd.	
PART NO.:	H20170***0511A
REV.:	A3
DRAWING NO.:	2017H102-A-S
7	8

**RoHS**  
COMPLIANT



**SPECIFICATIONS**

1. Current rating: 3A(22AWG,0.35mm<sup>2</sup>) AC, DC
2. Voltage rating: 125V AC,DC
3. Temperature range: -40°C ~ +125°C
4. Insulation resistance:1000 MΩ Min.
5. Withstanding voltage: 500V AC/ minute.
6. Contact resistance: 10mΩ Max.

**Applicable Wires:**

AWG#22,0.35mm<sup>2</sup>

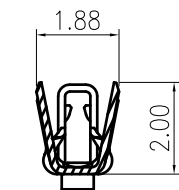
Insulation O.D. : 1.40mm MAX

Material: Phosphor Bronze

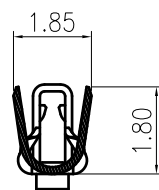
Plating: Tin plated over nickel

Suitable KR2017 Series housing

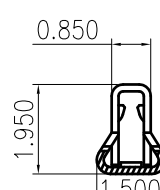
Q'ty/Reel: 10,000 PCS



SECTION A-A



SECTION B-B



SECTION C-C



Updated riveted wire specifications

ZSZ

2023.05.05

TOLERANCE

TITLE: MX2.0 Inner buckle Terminal

DRAWN: Arvin 2020.12.25

**KONNRA** 东莞市康瑞电子有限公司



Add Dimensions

Arvin

2021.12.30

X.X ±0.30

CHECKED:

DongGuan Konnra Electronics Co.,Ltd.



Uniformly arrange the drawings

ZSZ

2021.09.17

X.XX ±0.20

APPROVED:

PART NO.: T20170PT0101A

MARK

REVISION DESCRIPTION

SIGNATURE

DATE

X.XXX ±0.10

UNIT:mm SCALE:N/A

SHEET:1/1

PROJECTION

REV.:A4

DRAWING NO.:2017T101-A-S

**RoHS**  
COMPLIANT

**SPECIFICATIONS**

1. Current rating: 3A AC, DC
2. Voltage rating: 125V AC,DC
3. Temperature range: -40°C ~ +125°C
4. Insulation resistance:1000 MΩ Min.
5. Withstanding voltage: 500V AC/ minute.
6. Contact resistance: 10m Ω Max.

**Material:**

Insulator: PA9T UL 94V-0

Contact: Phosphor bronze

Solder tabs: Brass

Plating: Matte-tin plated over nickel

Mate with KR2017 series housing

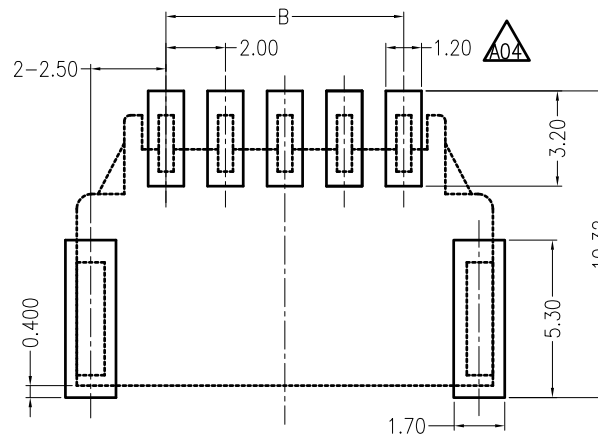
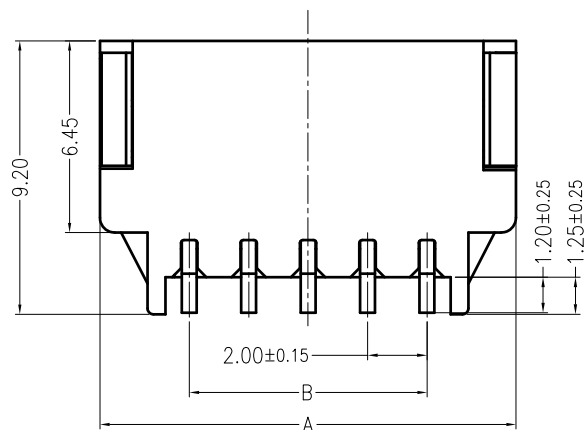
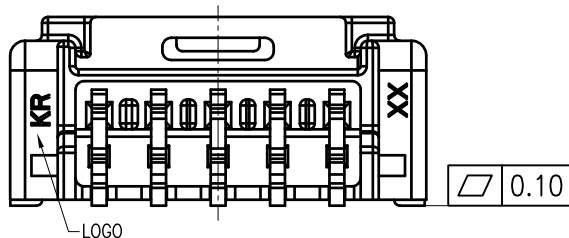
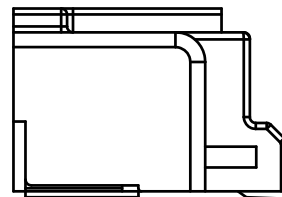
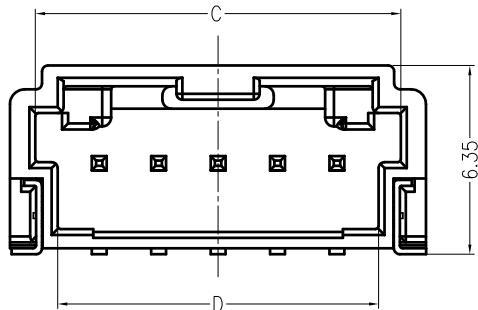
**Ordering Code:**

C2017RS \*\*\* \*\* M0101RA

No.of Circuits  11:PA9T Natural  12:PA9T Black

102 : 2 ... 116,16

<input type="checkbox"/> A05	16	36.00	30.00	34.30	32.80
<input type="checkbox"/> A05	15	34.00	28.00	32.30	30.80
<input type="checkbox"/> A05	14	32.00	26.00	30.30	28.80
<input type="checkbox"/> A05	13	30.00	24.00	28.30	26.80
<input type="checkbox"/> A05	12	28.00	22.00	26.30	24.80
	11	26.00	20.00	24.30	22.80
	10	24.00	18.00	22.30	20.80
	9	22.00	16.00	20.30	18.80
	8	20.00	14.00	18.30	16.80
	7	18.00	12.00	16.30	14.80
	6	16.00	10.00	14.30	12.80
	5	14.00	8.00	12.30	10.80
	4	12.00	6.00	10.30	8.80
	3	10.00	4.00	8.30	6.80
	2	8.00	2.00	6.30	4.80
	Circuits	A	B	C	D



Recommended P.C.B. Layout  
General tolerance:±0.05mm

<input type="checkbox"/> A06	Add specification	ZSZ	2023.5.15	TOLERANCE X.X ±0.30 X.XX ±0.20 X.XXX ±0.10 Angle ±2°	TITLE: MX2.0 Inner buckle SMT 90° Wafer	DRAWN: <i>ZZN 2023.4.19</i>		KONNRA 东莞市康瑞电子有限公司 DongGuan Konnra Electronics Co.,Ltd.	
<input type="checkbox"/> A05	Add 14P.15P.16P	ZZN	2023.4.19			CHECKED: <i>ZZN 2023.4.19</i>			
<input type="checkbox"/> A04	Add Dimensions	Arvin	2022.11.04			APPROVED:		PART NO.:C2017RS***11M0101RA	
MARK	REVISION DESCRIPTION	SIGNATURE	DATE	UNIT:mm	SCALE:N/A	SHEET:1/1	PROJECTION	REV.:A06	DRAWING NO.:2017WRS101-A-S

**RoHS**  
COMPLIANT

**SPECIFICATIONS**


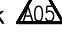
1. Current rating: 3A AC, DC
2. Voltage rating: 125V AC,DC
3. Temperature range: -40°C ~ +125°C
4. Insulation resistance:1000 MΩ Min.
5. Withstanding voltage: 500V AC/ minute.
6. Contact resistance: 10m Ω Max.

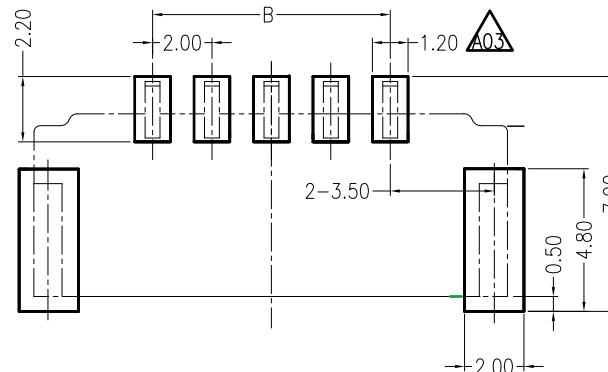
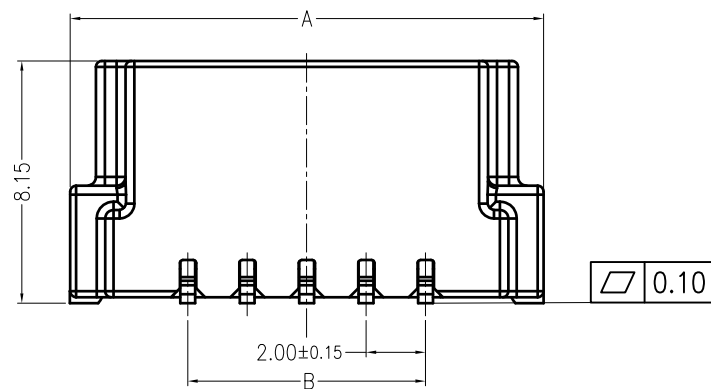
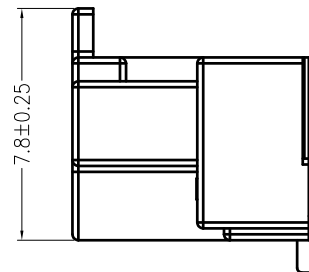
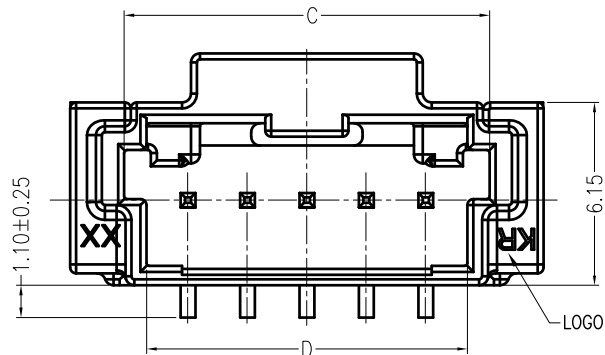
**Material:**

Insulator: PA9T UL 94V-0  
 Contact: Phosphor bronze  
 Solder tabs: Brass  
 Plating: Matte-tin plated over nickel  
 Mate with KR2017 series housing




**Ordering Code:**




C2017VS \*\*\* \*\* M0101RA

└─ 11:PA9T Natural   
 └─ 12:PA9T Black   
 No.of Circuits  
 102 : 2 ... 116,16



Recommended P.C.B. Layout  
 General tolerance:±0.05mm

	16	37.90	30.00	34.30	32.80
	15	35.90	28.00	32.30	30.80
	14	33.90	26.00	30.30	28.80
	13	31.90	24.00	28.30	26.80
	12	29.90	22.00	26.30	24.80
	11	27.90	20.00	24.30	22.80
	10	25.90	18.00	22.30	20.80
	9	23.90	16.00	20.30	18.80
	8	21.90	14.00	18.30	16.80
	7	19.90	12.00	16.30	14.80
	6	17.90	10.00	14.30	12.80
	5	15.90	8.00	12.30	10.80
	4	13.90	6.00	10.30	8.80
	3	11.90	4.00	8.30	6.80
	2	9.90	2.00	6.30	4.80
	Circuits	A	B	C	D

	Add specification	ZSZ	2023.6.5	TOLERANCE X.X ±0.30 X.XX ±0.20 X.XXX ±0.10 Angle ±2°	TITLE: MX2.0 Inner buckle SMT 180° Wafer	DRAWN: <i>ZZN</i> 2023.4.19		KONNRA 东莞市康瑞电子有限公司 DongGuan Konnra Electronics Co.,Ltd.	
	Add 13P 15P 16P	ZZN	2023.4.19			CHECKED: <i>ZZN</i> 2023.4.19			
	Uniformly arrange the drawings	ZSZ	2021.09.17			APPROVED:		PART NO.:C2017VS*****M0101RA	
MARK	REVISION DESCRIPTION	SIGNATURE	DATE			UNIT:mm	SCALE:N/A	SHEET:1/1	PROJECTION 