

RoHS
COMPLIANT

SPECIFICATIONS

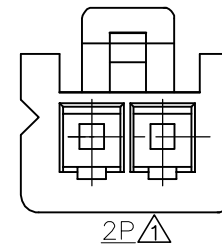
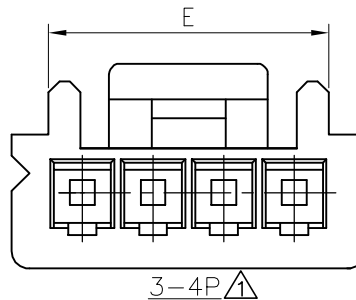
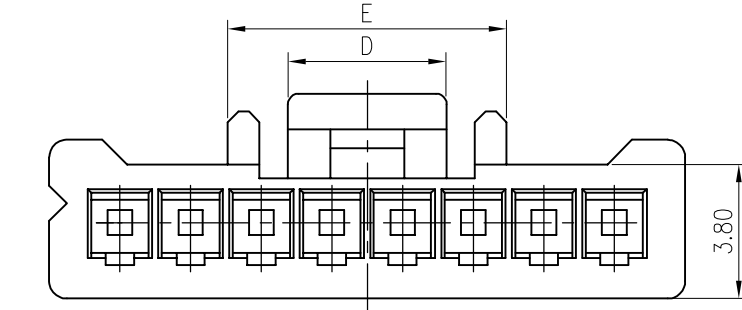
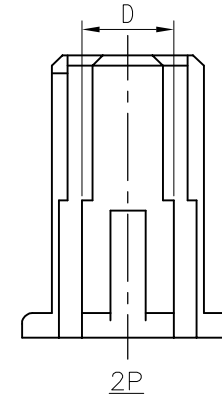
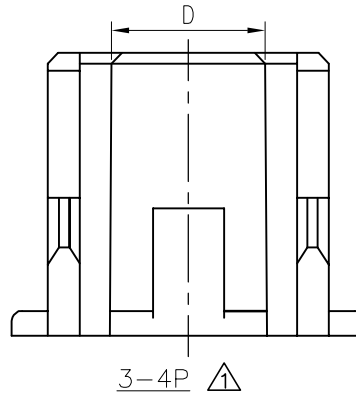
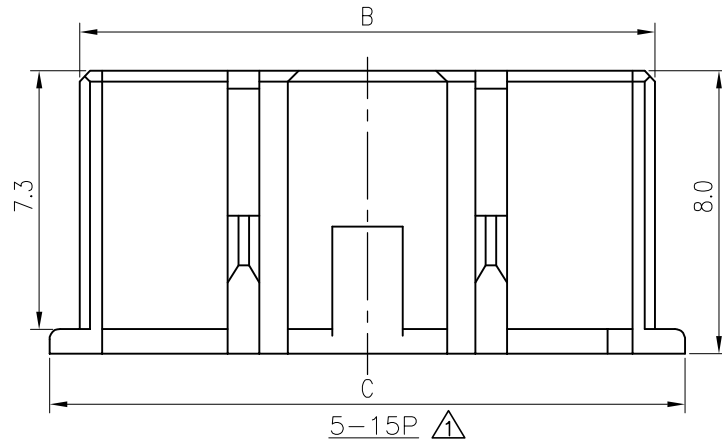
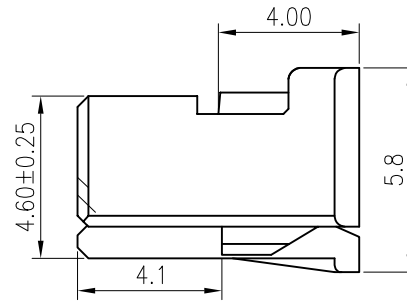
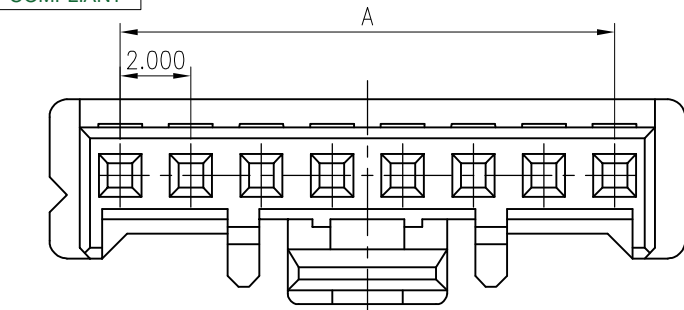
1. Current rating: 3A AC, DC
2. Voltage rating: 250V AC, DC
3. Temperature range: -40°C ~ +105°C
4. Insulation resistance: 1000MΩ/ min.
5. Withstanding voltage: 800V AC/ minute.
6. Contact resistance: 10mΩ/ max.

Material: PA66 UL94V-0
Circuits: 2~15
Suitable: KR2014 series terminal
Mate with KR2014 series wafer

Ordering Code:

H20140 *** 01 01A

No. of Circuits $\left\{ \begin{array}{l} 102:2, 115:15 \end{array} \right.$



| Circuits | Dimensions | | | | |
|----------|------------|------|------|------|-------------|
| | A | B | C | D | E |
| 2 | 2.00 | 4.3 | 6.0 | 2.6 | \triangle |
| 3 | 4.00 | 6.3 | 8.0 | 3.8 | 6.4 |
| 4 | 6.00 | 8.3 | 10.0 | 4.5 | 8.4 |
| 5 | 8.00 | 10.3 | 12.0 | 4.5 | 7.9 |
| 6 | 10.00 | 12.3 | 14.0 | 4.5 | 7.9 |
| 7 | 12.00 | 14.3 | 16.0 | 4.5 | 7.9 |
| 8 | 14.00 | 16.3 | 18.0 | 4.5 | 7.9 |
| 9 | 16.00 | 18.3 | 20.0 | 4.5 | 7.9 |
| 10 | 18.00 | 20.3 | 22.0 | 11.0 | 14.5 |
| 11 | 20.00 | 22.3 | 24.0 | 11.0 | 14.5 |
| 12 | 22.00 | 24.3 | 26.0 | 11.0 | 14.5 |
| 13 | 24.00 | 26.3 | 28.0 | 11.0 | 14.5 |
| 14 | 26.00 | 28.3 | 30.0 | 11.0 | 14.5 |
| 15 | 28.00 | 30.3 | 32.0 | 11.0 | 14.5 |

| MARK | REVISION | DESCRIPTION | SIGNATURE | DATE |
|---------------|---|-------------|------------|------|
| $\triangle 4$ | | | | |
| $\triangle 3$ | | | | |
| $\triangle 2$ | Change the part number and frame format | Arvin | 2020.05.07 | |

TOLERANCE
X. X ± 0.30
X. XX ± 0.20
X. XXX ± 0.10
Angle $\pm 2^\circ$

TITLE:
PA2.0 Housing

DRAWN: Arvin 2020.05.07

CHECKED:

APPROVED:

KONNRA 东莞市康瑞电子有限公司
DongGuan Konnra Electronics CO., LTD

PART NO. : H20140***0101A

SHEET: 1/1 PROJECTION \oplus

VER. : A2 DRAWING NO. : 2014H101-A-S